

# BRITE™ 9.0

LED

TYPE:

PROJECT NAME:



| MODEL # | WATT | LED | OPTICS | FINISH | VOLTAGE |
|---------|------|-----|--------|--------|---------|
|---------|------|-----|--------|--------|---------|

### DESCRIPTION:

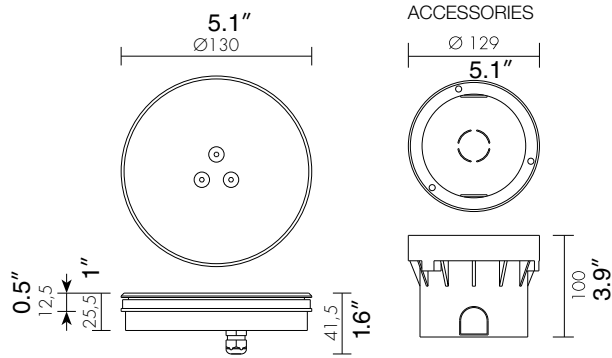
Drive over outdoor anti-glare light with IP68 rating and high mechanical resistance; AISI 316L steel ferrule. Provided wired with a 1.5 m neoprene cable.

### INSTALLATION NOTE:

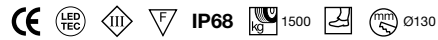
Must be wired in series when two or more are wired together with same driver.

### BRITE 9.0 Dimensions

#### L5CB90



LWC0500 HOUSING



#### LED COLORS

0. 5000K WHITE  5. 3000K WHITE

#### FINISH

I. STAINLESS STEEL

WATTAGE  1W  6W  9W  18W

VOLTAGE  120V  220V  277V

#### OPTICS

R. RADIAL

**BRITE™ 9.0**

LED



**LEDOLOGY®**

[WWW.LEDOLOGY.COM](http://WWW.LEDOLOGY.COM)