

LUX™ RD SMALL

LED

TYPE:

PROJECT NAME:

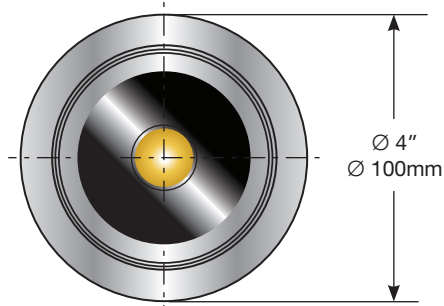


L49101 with 33° ANTI-GLARE REFLECTOR

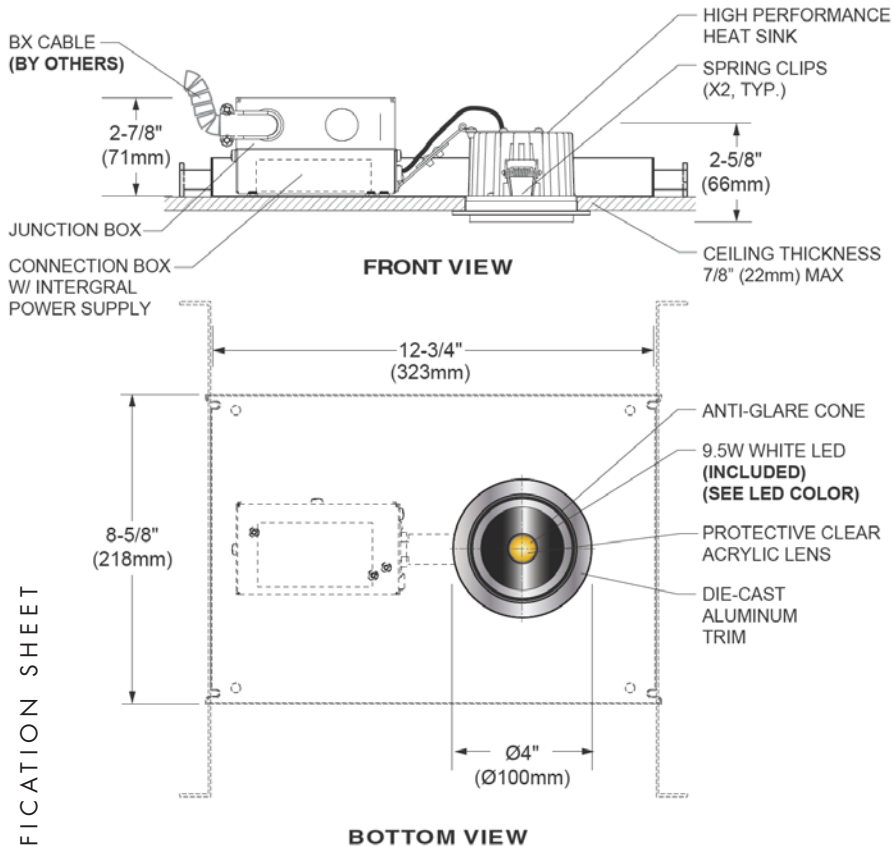


L49111 with FROSTED DIFFUSER

LUX RD SMALL DIMENSIONS



TRIM DIMENSIONS



L491 - - -
 OPTICS LED COLOUR FINISH VOLTAGE

The LUX RD SMALL light is made of die-cast aluminum trim and high-performance heatsink. The shape of the faceted reflector gives a strong light without glare. This lighting solution creates a powerful effect and saves energy.

LAMPING: 1 X 9.5W BRIDGELUX LED ES STAR, 900lm, 80CRI+

LUMINAIRE EFFICACY: 50 lm/W (3000k w/o Diffuser)

USE: DRYWALL ONLY

HOUSING: PLASTER FRAME (INCLUDED)

OPTICS

- 01. 33° REFLECTOR**
- 11. FROSTED DIFFUSER**

LED COLOUR

- 00. 4000K WHITE**
- 01. 3000K WHITE**

FINISHES

- 01. WHITE**
- 10. GRAY**

VOLTAGE

- 120V
- 277V

SPECIFICATION SHEET



CUTOUT DIMENSION
 Ø 3 1/2" (90mm)



LEDOLOGY®

WWW.LEDOLOGY.COM

LUX™ RD SMALL

LED INSULATED

TYPE:

PROJECT NAME:

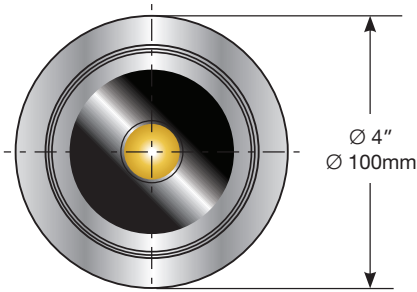


L49101 with 33° ANTI-GLARE REFLECTOR

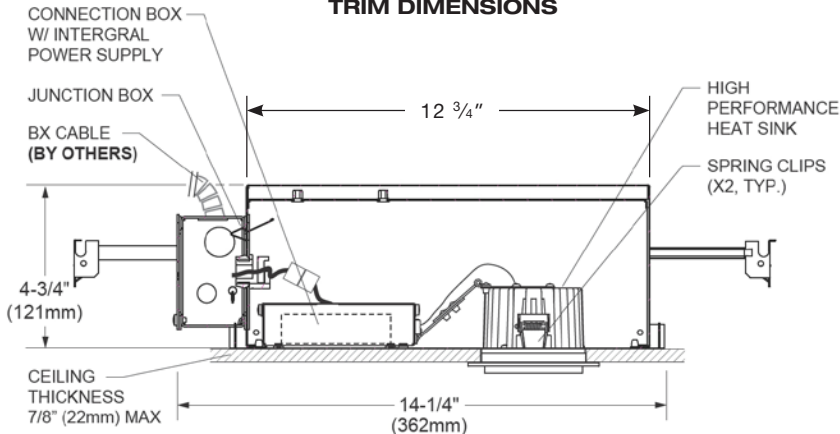


L49111 with FROSTED DIFFUSER

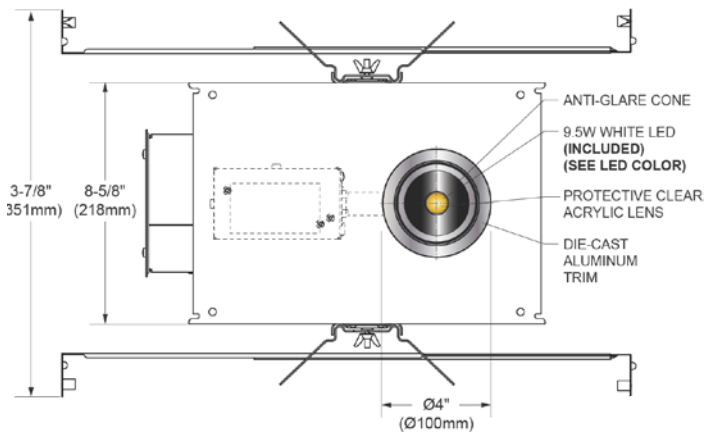
LUX RD SMALL DIMENSIONS



TRIM DIMENSIONS



FRONT VIEW



BOTTOM VIEW



CUTOUT DIMENSION
Ø 3 1/2" (90mm)

L491 _____ - _____ - _____ - _____
OPTICS LED COLOUR FINISH VOLTAGE

The LUX RD SMALL light is made of die-cast aluminum trim and high-performance heatsink. The shape of the faceted reflector gives a strong light without glare. This lighting solution creates a powerful effect and saves energy.

LAMPING: 1 X 9.5W BRIDGELUX LED
ES STAR, 900lm, 80CRI+

LUMINAIRE EFFICACY: 50 lm/W (3000k w/o Diffuser)

USE: DRYWALL ONLY

HOUSING: INSULATION BOX
(INCLUDED)

OPTICS

- 01. 33° REFLECTOR**
- 11. FROSTED DIFFUSER**

LED COLOUR

- 00. 4000K WHITE**
- 01. 3000K WHITE**

FINISHES

- 01. WHITE**
- 10. GRAY**

VOLTAGE

- 120V
- 277V

SPECIFICATION SHEET

LEDOLOGY®



WWW.LEDOLOGY.COM