

# MINI SPOT™

1 X 3W - 350mA LED

**TYPE:**

**PROJECT NAME:**



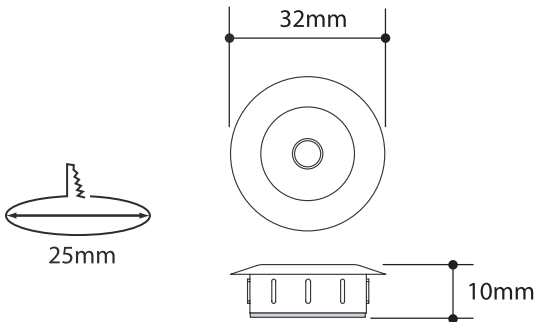
## MINI SPOT

### LED SPOT - 1 x 3W - 350mA

Recessed downlight for direct or accent lighting.

Designed for indoor use only.

Material: Thermoplastic structure



Colour	Degree	Finish	Code
white 6000K	30°	chrome	L.441.31
white 3500K	30°	chrome	L.441.32
blue	30°	chrome	L.441.33
red	30°	chrome	L.441.34
green	30°	chrome	L.441.35
white 6000K	60°	chrome	L.441.36
white 3500K	60°	chrome	L.441.37
blue	60°	chrome	L.441.38
red	60°	chrome	L.441.39
green	60°	chrome	L.441.40
white 6000K	100°	chrome	L.441.41
white 3500K	100°	chrome	L.441.42
blue	100°	chrome	L.441.43
red	100°	chrome	L.441.44
green	100°	chrome	L.441.45

SPECIFICATION SHEET



#### L.4400

Electronic power supply 3W, 350 mA  
 In: 120V AC  
 Out: 4V-12V DC @ 350 mA  
 Dimension: 1-5/8" x 1-5/8" x 7/8"  
**Maximum 3 luminaires wired in series**



#### L.4401

Electronic power supply 12W, 350 mA  
 In: 120V AC  
 Out: 2.6V-32.6V DC @ 350 mA  
 Dimension: 5-3/16" x 1-3/8" x 7/8"  
**Maximum 8 luminaires wired in series**

**Contact factory for more powerfull**

#### INSTALLATION NOTE:

**MUST BE WIRED IN SERIES WHEN TWO OR MORE ARE WIRED TOGETHER WITH SAME DRIVER.**