

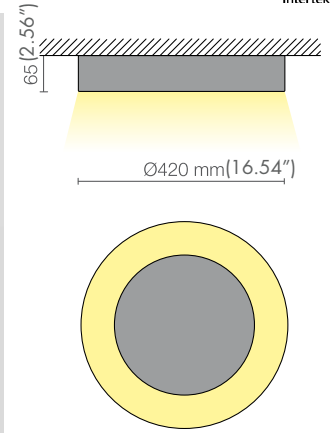
RINGER™

Wall LED

TYPE:

PROJECT NAME:

MODEL #	FINISH	LED COLOR	OPTIC	DRIVER	VOLTAGE
---------	--------	-----------	-------	--------	---------



L252689.30		LED	20W	3000K	2000lm	700mA	CRI>80	A+		147/236
L252689.40		LED	20W	4000K	2200lm	700mA	CRI>80	A+		

Wall or ceiling luminaire for direct light with a high efficiency LED module. It is made from steel with an epoxy powder coated finish stabilized with UV rays and a super pure 99.9% aluminium reflector with a metallic or patinted finish. The light source is positioned to provide discreet and effective lighting without glare. The degree of protection against the penetration of dust, solid objects and liquids is IP20.

SPECIFICATION SHEET

08		Bianco satinato RAL 9003 Frosted white RAL 9003	Included: driver EM = Emergency autonomy 1 hour DIMM2 = Digital dimmable Photobiological risk group 0, in compliance with Standard EN 62471
22		Grigio RAL 9006 Grey RAL 9006	

VOLTAGE 120V 220V 277V