

D-SQUARE™

CEILING

TYPE:

PROJECT NAME:



White with Chrome reflector



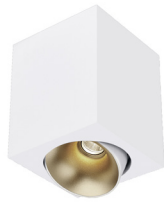
Black with Chrome reflector



White with White reflector



Black with White reflector



White with Gold reflector



Black with Gold reflector



White with Black Matt reflector



Black with Black Matt reflector



White with Copper reflector



Black with Copper reflector

SPECIFICATION SHEET

D-SQUARE™

CEILING

TYPE:

PROJECT NAME:

Versions

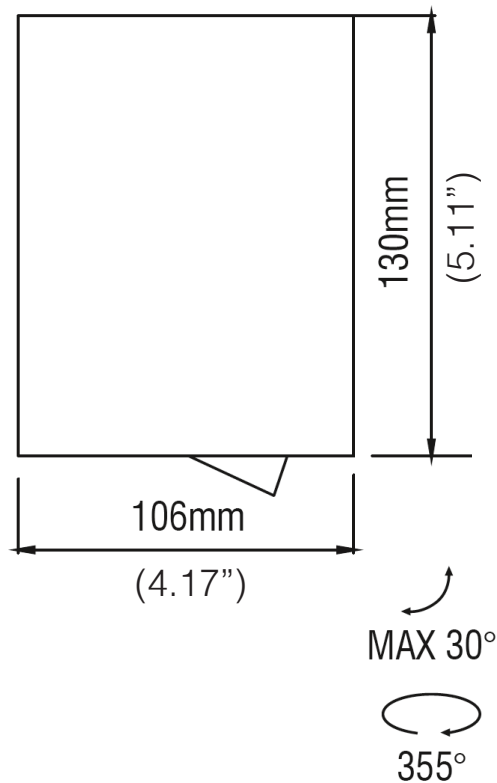
1200lm 2700K 14W chrome reflector
 1260lm 3000K 14W chrome reflector
 1270lm 4000K 14W chrome reflector

1160lm 2700K 14W white reflector
 1200lm 3000K 14W white reflector
 1220lm 4000K 14W white reflector

1160lm 2700K 14W gold reflector
 1200lm 3000K 14W gold reflector
 1220lm 4000K 14W gold reflector

1060lm 2700K 14W black matt reflector
 1120lm 3000K 14W black matt reflector
 1130lm 4000K 14W black matt reflector

1160lm 2700K 14W copper reflector
 1200lm 3000K 14W copper reflector
 1220lm 4000K 14W copper reflector



Additional Features

- Adjustable
- IP20
- 90 CRI

ORDERING INFO

Model (Order Code)	Structure Finish	LED	Optic	Reflector Finish	Driver Options
<input type="radio"/> L92403	<input type="radio"/> W White <input type="radio"/> B Black	<input type="radio"/> 927 2700K <input type="radio"/> 930 3000K <input type="radio"/> 940 4000K	<input type="radio"/> 40°	<input type="radio"/> CH Chrome <input type="radio"/> WH White <input type="radio"/> GO Gold <input type="radio"/> BM Black Matt	<input type="radio"/> 120V Phase Dimming <input type="radio"/> 120V 0-10V Dimming <input type="radio"/> 277V 0-10V Dimming



SPECIFICATION SHEET

LEDOLOGY®

A **Luminart** BRAND

WWW.LEDOLOGY.COM