

EMMA™

WALL

TYPE:

PROJECT NAME:

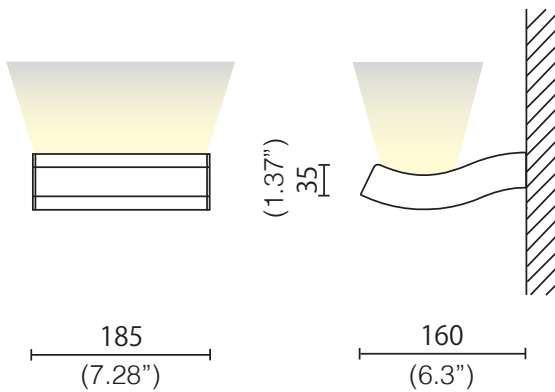









EMMA

WALL

Emma is a sinuous and light wall luminaire made from extruded epoxy powder coated aluminum stabilized with UV rays. It comes complete with a clear crystal screen, two high efficiency LED mod-ules and driver. Its degree of protection against the penetration of dust, solid objects and liquids is IP40.

CODE	W	Lm (3000K)
L25A9-620...	13	1640



	110°
	3000K / 4000K
	40
	>80
	A++
	0
	Satin white

SPECIFICATION SHEET

ORDERING INFO

Model (Order Code)	Structure Finish	LED	Dimming Options
<input type="radio"/> L25A9-620 13W	<input type="radio"/> Satin White	<input type="radio"/> 3000K <input type="radio"/> 4000K	<input type="radio"/> 120V LTE Phase Dimming <input type="radio"/> 120-277V 0-10V Dimming (Universal Voltage)



LEDOLOGY®

A **Luminart** BRAND

WWW.LEDOLOGY.COM

EMMA™ UP

WALL

TYPE:

PROJECT NAME:

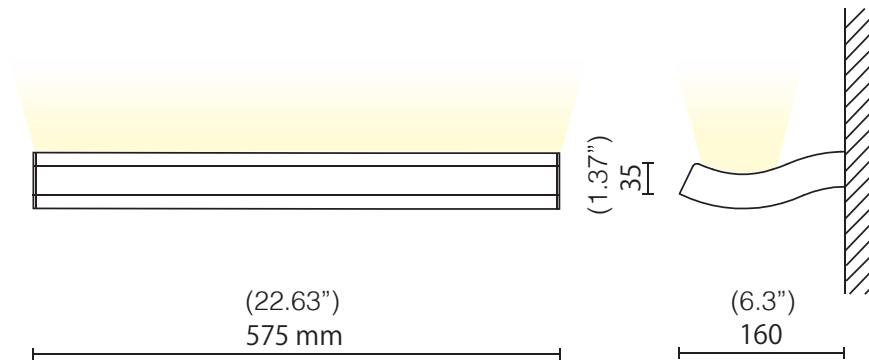



EMMA UP

WALL

A smooth wave flowing from the wall to tastefully enlighten the surfaces. Emma Up is a single emission wall light made from extruded epoxy polyester powder coated aluminum stabilized with UV rays. It is equipped with a transparent crystal screen, high efficiency LED modules and driver. Its degree of protection against the penetration of dust, solid objects and liquids is IP40.

CODE	W	Lm (3000K)
L25A9-621...	23	3000



	110°
TC	3000K / 4000K
IP	40
CRI	>80
EEL	A++
RG	0
08	Satin white

SPECIFICATION SHEET

ORDERING INFO

Model (Order Code)	Structure Finish	LED	Dimming Options
<input type="radio"/> L25A9-621 23W	<input type="radio"/> Satin White	<input type="radio"/> 3000K <input type="radio"/> 4000K	<input type="radio"/> 120V LTE Phase Dimming <input type="radio"/> 120-277V 0-10V Dimming (Universal Voltage)



LEDOLOGY®

A **Luminart** BRAND

WWW.LEDOLOGY.COM