

GAIA™

WALL LED

TYPE:

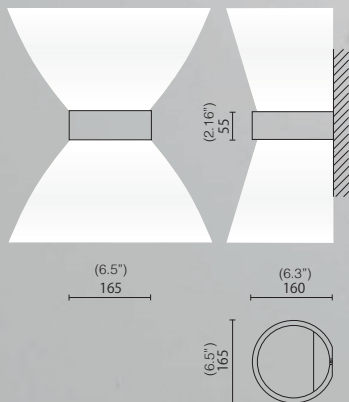
PROJECT NAME:



GAIA

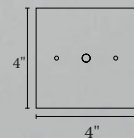
WALL

CODE	W	Lm
L25A9-650.30...	11	885



A ring diffusing a delicate light. Gaia is a double emission wall lamp made from epoxy polyester powder coated aluminium stabilized with UV rays and it is equipped with Chip On Board technology high efficiency LED light sources and driver. Its degree of protection against the penetration of dust, solid objects and liquids is IP20.

INSTALLATION NOTE:
Comes with 4" SQUARE backplate
to cover the junction box



100°



3000K



20



>80



A+



0



Satin white



Intertek

SPECIFICATION SHEET

LEDOLOGY®

WWW.LEDOLOGY.COM