

GIO™

RECESSED LED






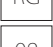



TYPE:

PROJECT NAME:

GIO'

RECESSED

Geometric essentiality characterizes Gio', an adjustable recessed light made from die-cast aluminium and equipped with a Chip On Board technology high efficiency LED light source and a remote driver. This lamp is available both trim and trimless. Its degree of protection against the penetration of dust, solid objects and liquids is IP43.

-  36°
-  TC 3000K
-  IP 43
-  CRI >80
-  EEI A+
-  RG 1
-  08 Satin white
-  D Driver included
- 

GIO'

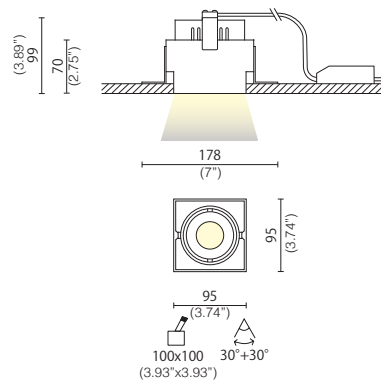
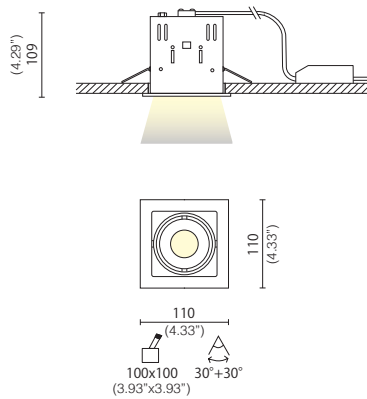
GIO' HIDE

CODE	W	Lm
L25A5-665.07.30	7	670
L25A5-665.10.30	10	900

/DIMM2 DALI dimmer
/DIMM3 DIM-switch dimmer

CODE	W	Lm
L25A5-666.07.30	7	670
L25A5-666.10.30	10	900

/DIMM2 DALI dimmer
/DIMM3 DIM-switch dimmer



SPECIFICATION SHEET

GIO™
RECESSED LED

TYPE:

PROJECT NAME:



SPECIFICATION SHEET