

IRO

RECESSED

Refined and elegant, Iro is a recessed light made from die-cast aluminium and equipped with a frosted diffuser, a Chip On Board technology high efficiency LED light source and a remote driver. It is available in two sizes. Its degree of protection against the penetration of dust, solid objects and liquids is IP43.



(see table)



3000K



43



>80



A+



0



Satin white



Driver included

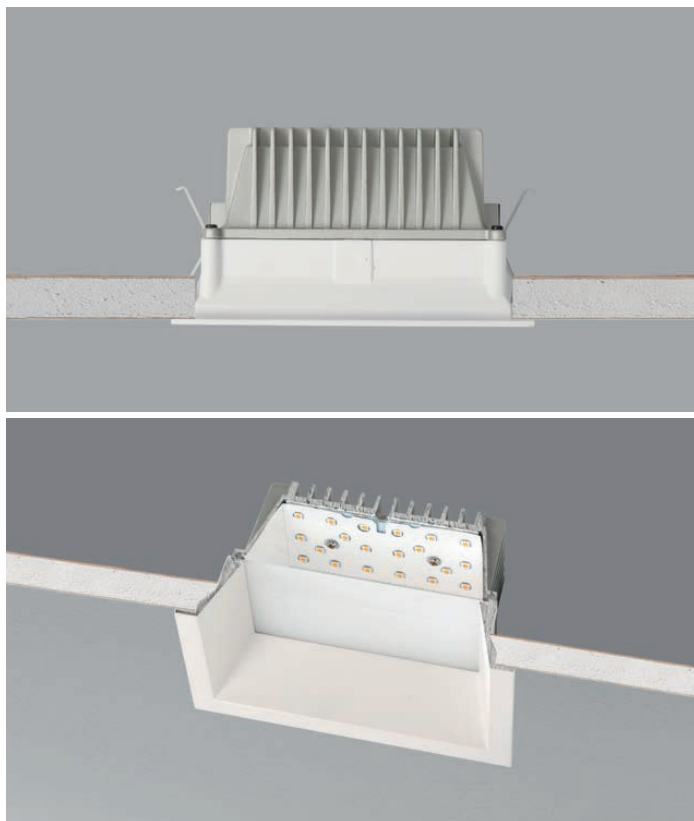
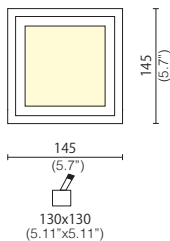
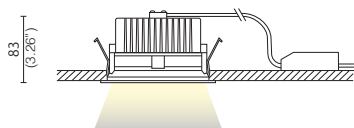


Intertek

IRO GRANDE

CODE	W	Lm	
L25A5-669.25.30	25	2200	95°

/DIMM2 DALI dimmer
/DIMM3 DIM-switch dimmer



EB75 ; 8 ; 5 3 F ; A @ E : 7 7 F

IRO™


RECESSED LED

TYPE:

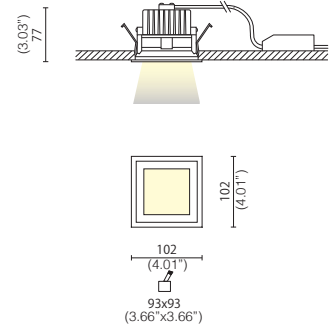
PROJECT NAME:



IRO PICCOLO

CODE	W	Lm	
L25A5-668.11.30	11	950	85°

/DIMM2 DALI dimmer
/DIMM3 DIM-switch dimmer



SPECIFICATION SHEET