

# MICRO™

RECESSED

TYPE:

PROJECT NAME:



## MICRO

*The small size gives Micro endless possibilities. This recessed light, available both in an adjustable and in an unmovable version, is equipped with a Chip On Board technology high efficiency LED light source. It is made from epoxy powder coated finish aluminum stabilized with UV rays and provided with reflector and transparent screen. Driver included. Dimmable version available on request. The degree of protection against the penetration of dust, solid objects and liquids is IP43.*

SPECIFICATION SHEET

**LEDOLOGY®**

WWW.LEDOLOGY.COM

# MICRO™

## RECESSED

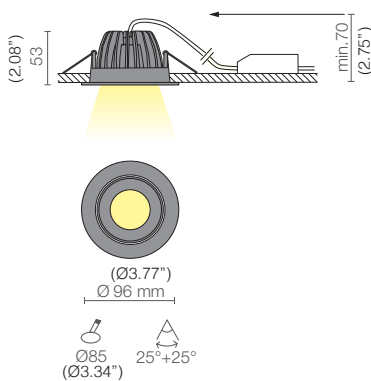
**TYPE:**

**PROJECT NAME:**

### MICRO ADJUSTABLE

code	W	Lm (3000K)	lifetime
<b>L255636.07...</b>	7	700	40.000h L70/B50

- SL LED
- AL *incluso / included*
- 30°
- TC .30 per 3000K / .40 per 4000K
- IP 43
- CRI >80
- SDCM 3
- EEI A+
- RG 1
- 08 *Frosted white*



SPECIFICATION SHEET

# MICRO™

RECESSED

TYPE:



PROJECT NAME:

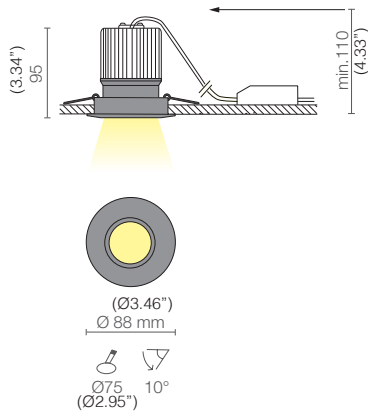
## MICRO ADJUSTABLE

code	W	Lm (3000K)	lifetime	
<b>L255634.05...</b>	5	750	75.000h	L80/B10
<b>L255634.09...</b>	7	1035	60.000h	L80/B10
<b>L255634.13...</b>	13	1692	50.000h	L80/B10

/DIMM2 DALI

/DIMM3 0-10V

- SL  LED
- AL *included*
-  40°
- TC .30 per 3000K / .40 per 4000K
- IP 43
- CRI >80
- SDCM 3
- EEI A+
- RG 1
- 08 *Frosted white*



SPECIFICATION SHEET