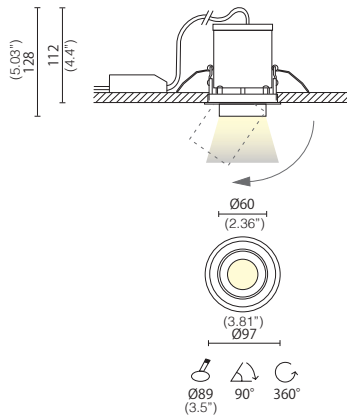


# MIKE™

RECESSED LED

TYPE:

PROJECT NAME:



# MIKE

RECESSED

SPECIFICATION SHEET

CODE	W	Lm (3000K)
L25A5-678.07...	7	900
L25A5-678.10...	10	1240

/DIMM2 DALI dimmer  
/DIMM3 DIM-switch dimmer

A recessed light which can be pulled out and adjusted on both axis. Mike is made from die-cast aluminium and it is equipped with a Chip On Board technology high efficiency LED light source and a remote driver. The inner ring can be requested in black, gold or white. Its degree of protection against the penetration of dust, solid objects and liquids is IP23.

- 40° (20° on request)
- 3000K / 4000K
- 23
- 93 (>80 on request)
- A++
- 1
- Satin white
- L25AN001.08 White ring  
L25AN001.13 Gold ring
- Driver included



**MIKE™**  
RECESSED LED

**TYPE:**

**PROJECT NAME:**



SPECIFICATION SHEET