

# NOVA™

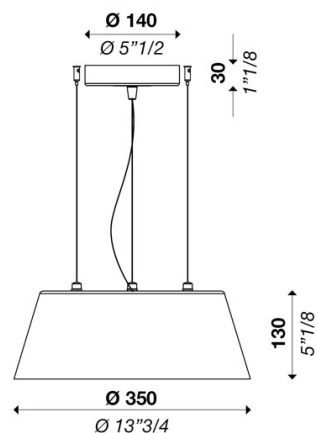
## SUSPENSION Ø350

TYPE:

PROJECT NAME:



**Technical drawing**  
Size ref. image mm - inch



Technical data	
Light source	LED
Circuit structure	LED module vers.4
Light emission direction	direct
Power	21 W
Source lumens	3480 lm
Source efficacy	166 lm
Consumption	24 W
Delivered lumens	2210 lm
Luminaire efficacy	92 lm/W
Secondary	700mA
Colour temperature	3000K / 4000K
Colour rendering index	80 CRI
Standard Deviation of Colour Matching	3 SDCM
Energy class	A
Safety class	I
Degree of protection	IP 20
Direct mounting on normally flammable surfaces	●
Operating temperature	+10° / +40°

**Structure**  
Material aluminum

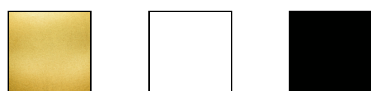
**Diffuser**  
Material pmma

**Canopy**  
Diameter ( Ø ) 140 mm - 5" 1/2 inch  
Height 30 mm - 1" 1/8 inch

**Hanging cables**  
Stainless steel cables standard length (custom available) 2000 mm / 78" 3/4  
Electric cable standard length (custom available) 2500 mm/100"

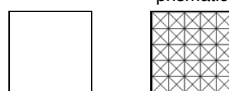
**Structure finish**

gold      matte white      matte black



**Diffuser**

opal      transparent prismatic



SPECIFICATION SHEET

**ORDERING INFO**

Model (Order Code)	Finish	Diffuser	LED	Driver Options
<input type="radio"/> L031690304A20000	<input type="radio"/> Matte Black <input type="radio"/> Matte White <input type="radio"/> Gold	<input type="radio"/> Opal <input type="radio"/> Prismatic	<input type="radio"/> 3000K <input type="radio"/> 4000K	<input type="radio"/> 120V Phase Dimming <input type="radio"/> 120V 0-10V Dimming <input type="radio"/> 277V 0-10V Dimming



# NOVA™

## SUSPENSION Ø600

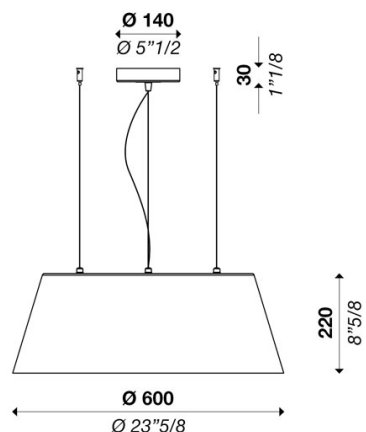
TYPE:

PROJECT NAME:



### Technical drawing

Size ref. image mm - inch



### Technical data

Light source	LED
Circuit structure	LED module vers.4
Light emission direction	direct
Power	41 W
Source lumens	7000 lm
Source efficacy	171 lm
Consumption	44 W
Delivered lumens	4264 lm
Luminaire efficacy	97 lm/W
Secondary	1200mA
Colour temperature	3000K / 4000K
Colour rendering index	80 CRI
Standard Deviation of Colour Matching	3 SDCM
Energy class	A
Safety class	I
Degree of protection	IP 20
Direct mounting on normally flammable surfaces	●
Operating temperature	+10° / +40°

### Structure

Material aluminum

### Diffuser

Material pmma

### Canopy

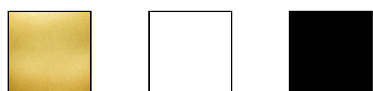
Diameter ( Ø ) 140 mm - 5" 1/2 inch  
 Height 30 mm - 1" 1/8 inch

### Hanging cables

Stainless steel cables standard length (custom available) 2000 mm / 78" 3/4  
 Electric cable standard length (custom available) 2500 mm/100"

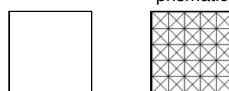
### Structure finish

gold      matte white      matte black



### Diffuser

opal      transparent prismatic



SPECIFICATION SHEET

### ORDERING INFO

Model (Order Code)	Finish	Diffuser	LED	Driver Options
<input type="radio"/> L031690305A20000	<input type="radio"/> Matte Black <input type="radio"/> Matte White <input type="radio"/> Gold	<input type="radio"/> Opal <input type="radio"/> Prismatic	<input type="radio"/> 3000K <input type="radio"/> 4000K	<input type="radio"/> 120V Phase Dimming <input type="radio"/> 120V 0-10V Dimming <input type="radio"/> 277V 0-10V Dimming



LEDOLOGY®

A **Luminart** BRAND

WWW.LEDOLOGY.COM

# NOVA™

## SUSPENSION Ø940

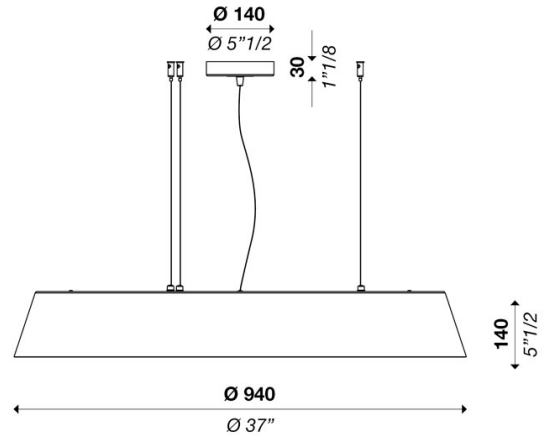
TYPE:

PROJECT NAME:



### Technical drawing

Size ref. image mm - inch



### Technical data

Light source	LED
Circuit structure	LED module vers.3
Light emission direction	direct
Power	62 / 128 / 172 W
Source lumens	11760 / 22764 / 30352 lm
Source efficacy	190 / 178 / 176 lm
Consumption	74 / 165 / 206 W
Delivered lumens	9407 / 17742 / 21708 lm
Luminaire efficacy	127 / 108 / 105 lm/W
Secondary	550 / 1050 / 1400 mA
Colour temperature	3000K / 4000K
Colour rendering index	80 CRI
Standard Deviation of Colour Matching	3 SDCM
Energy class	A
Safety class	I
Degree of protection	IP 20
Direct mounting on normally flammable surfaces	●
Operating temperature	+10° / +40°

### Structure

Material aluminum

### Diffuser

Material pmma

### Canopy

Diameter ( Ø ) 140 mm - 5" 1/2 inch

Height 30 mm - 1" 1/8 inch

### Hanging cables

Stainless steel cables standard length (custom available) 2000 mm / 78" 3/4

Electric cable standard length (custom available) 2500 mm/100"

### Structure finish

gold      matte white      matte black



### Diffuser

opal      transparent prismatic



SPECIFICATION SHEET

### ORDERING INFO

Model (Order Code)	Finish	Diffuser	LED	Driver Options
<input type="radio"/> 62W: L031690306A20000	<input type="radio"/> Matte Black	<input type="radio"/> Opal	<input type="radio"/> 3000K	<input type="radio"/> 120V Phase Dimming
<input type="radio"/> 128W: L031690307A20000	<input type="radio"/> Matte White	<input type="radio"/> Prismatic	<input type="radio"/> 4000K	<input type="radio"/> 120V 0-10V Dimming
<input type="radio"/> 172W: L031690308A20000	<input type="radio"/> Gold			<input type="radio"/> 277V 0-10V Dimming



LEDODOLOGY®

A **Luminart** BRAND

WWW.LEDOLOGY.COM