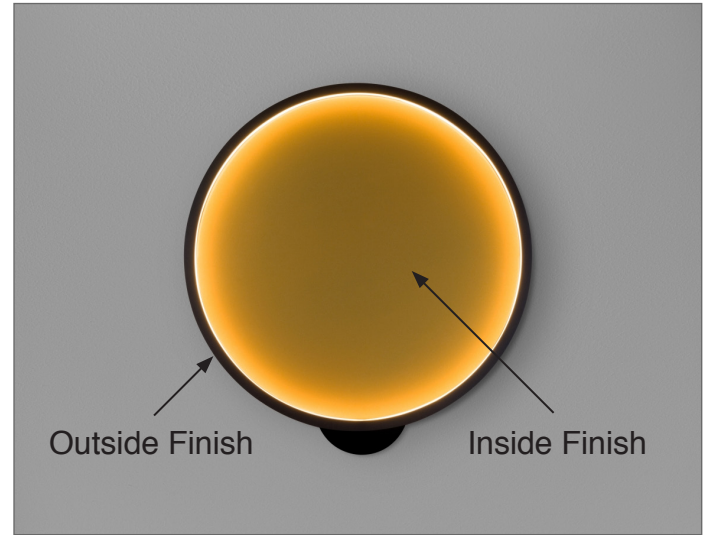


# OOLA + <sup>TM</sup>

WALL

TYPE:

PROJECT NAME:



Star in full is a luminaire that will become a real star in any space. Discreet light hidden in the body of the luminaire subtly illuminates its center. The golden finish gives the frame an elegant and rich chic in moderation.

**Light Source:** 12W LED

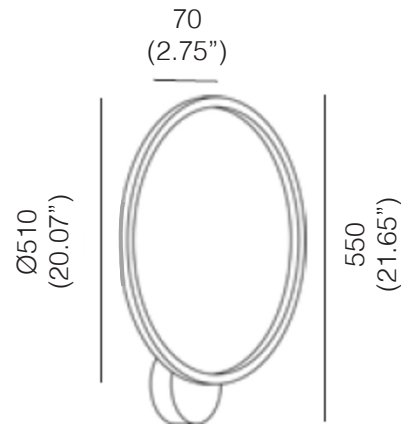
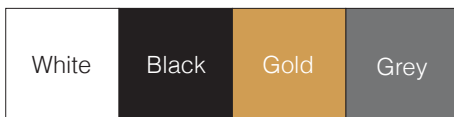
**Electrical:** High efficiency electronic power supply, rated 50,000 hours 120V-277V

**Input [W]** 12W

**Lum. flux of light source [lm]** 800 lm

**Finish options:**

White, Black, Gold, Grey



SPECIFICATION SHEET

**ORDERING INFO**

L59W00170

Model (Order Code)	Inside Finish Options	Outside Finish Options	LED	Dimming Options
<input type="radio"/> L59W00170 12 W	<input type="radio"/> 01: White <input type="radio"/> 02: Black <input type="radio"/> 04: Gold <input type="radio"/> 03: Grey	<input type="radio"/> 01: White <input type="radio"/> 02: Black <input type="radio"/> 04: Gold <input type="radio"/> 03: Grey	<input type="radio"/> 27: 2700K <input type="radio"/> 30: 3000K <input type="radio"/> 40: 4000K	<input type="radio"/> 120V LTE <input type="radio"/> 120V-277V 0-10V

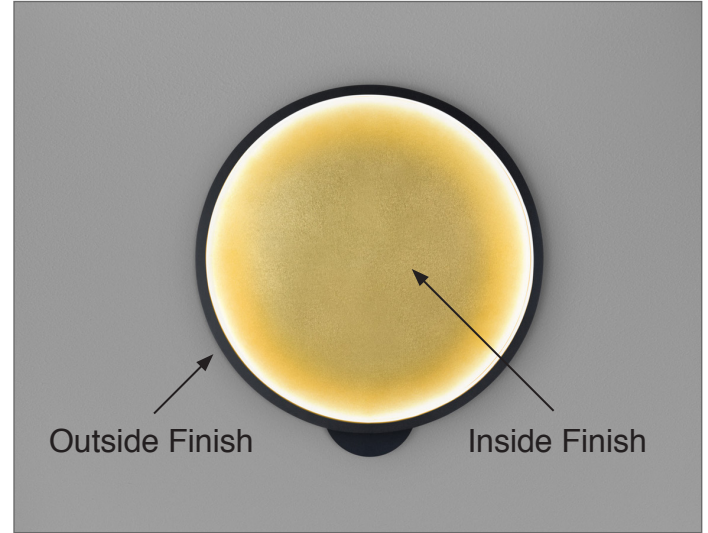


# OOLA +™ BRASS

WALL

TYPE:

PROJECT NAME:



Star in full is a luminaire that will become a real star in any space. Discreet light hidden in the body of the luminaire subtly illuminates its center. The golden finish gives the frame an elegant and rich chic in moderation.

**Light Source:** 12W LED

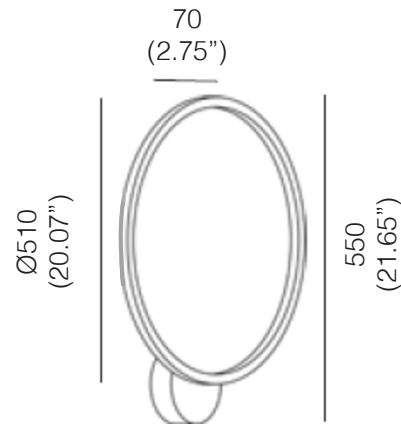
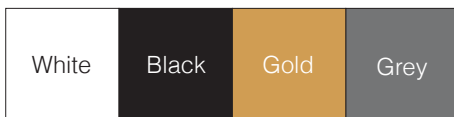
**Electrical:** High efficiency electronic power supply, rated 50,000 hours 120V-277V

**Input [W]** 12W

**Lum. flux of light source [lm]** 800 lm

**Finish options:**

White, Black, Gold, Grey



SPECIFICATION SHEET

**ORDERING INFO**

L59W00200	-	01	-	01	-	-
Model (Order Code)		Inside Finish Options		Outside Finish Options		LED
<input type="radio"/> L59W00200 12 W		<input type="radio"/> 01: Brass		<input type="radio"/> 01: Black		<input type="radio"/> 27: 2700K
						<input type="radio"/> 30: 3000K
						<input type="radio"/> 40: 4000K
						Dimming Options
						<input type="radio"/> 120V LTE
						<input type="radio"/> 120V-277V 0-10V

