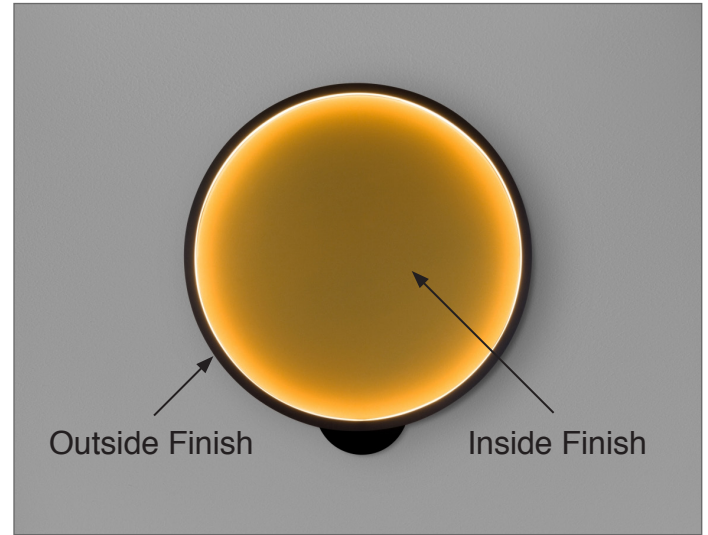


OOLA + TM

WALL

TYPE:

PROJECT NAME:



Star in full is a luminaire that will become a real star in any space. Discreet light hidden in the body of the luminaire subtly illuminates its center. The golden finish gives the frame an elegant and rich chic in moderation.

Light Source: 12W LED

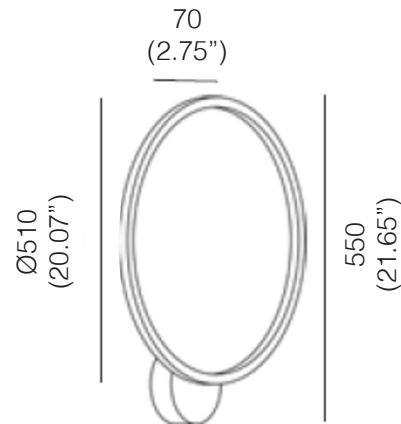
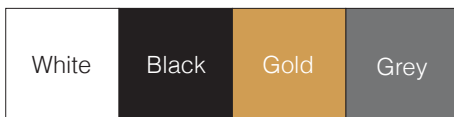
Electrical: High efficiency electronic power supply, rated 50,000 hours 120V-277V

Input [W] 12W

Lum. flux of light source [lm] 800 lm

Finish options:

White, Black, Gold, Grey



SPECIFICATION SHEET

ORDERING INFO

L59W00170

Model (Order Code)	Inside Finish Options	Outside Finish Options	LED	Dimming Options
<input type="radio"/> L59W00170 12 W	<input type="radio"/> 01: White <input type="radio"/> 02: Black <input type="radio"/> 04: Gold <input type="radio"/> 03: Grey	<input type="radio"/> 01: White <input type="radio"/> 02: Black <input type="radio"/> 04: Gold <input type="radio"/> 03: Grey	<input type="radio"/> 27: 2700K <input type="radio"/> 30: 3000K <input type="radio"/> 40: 4000K	<input type="radio"/> 120V LTE <input type="radio"/> 120V-277V 0-10V

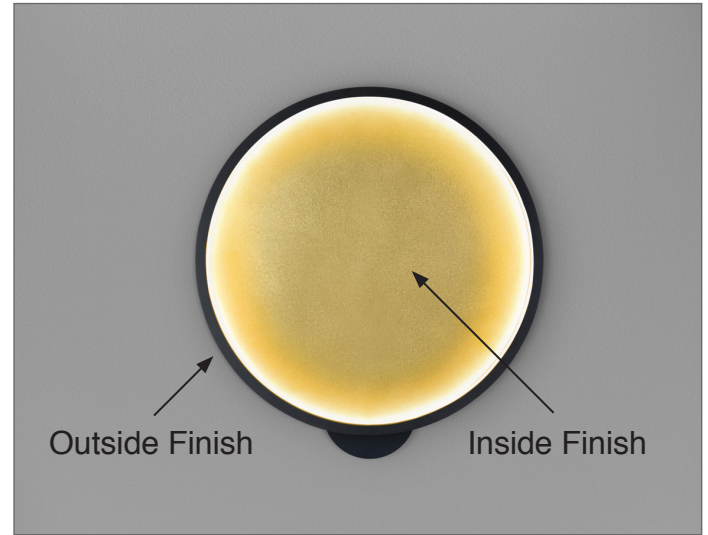


OOLA + TM BRASS

WALL

TYPE:

PROJECT NAME:



Star in full is a luminaire that will become a real star in any space. Discreet light hidden in the body of the luminaire subtly illuminates its center. The golden finish gives the frame an elegant and rich chic in moderation.

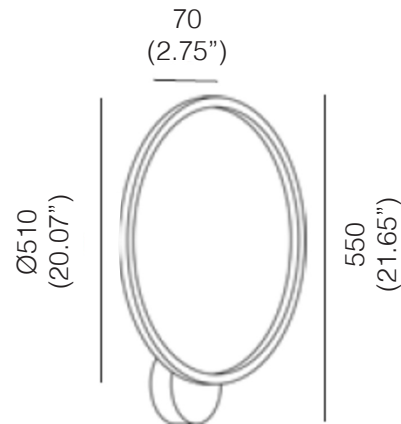
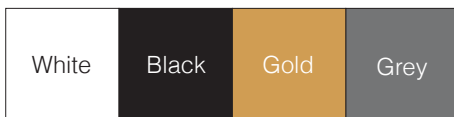
Light Source: 12W LED

Electrical: High efficiency electronic power supply, rated 50,000 hours 120V-277V

Input [W]	12W
Lum. flux of light source [lm]	800 lm

Finish options:

White, Black, Gold, Grey



SPECIFICATION SHEET

ORDERING INFO

L59W00200	-	01	-	01	-	-
Model (Order Code)		Inside Finish Options		Outside Finish Options		LED
<input type="radio"/> L59W00200 12 W		<input type="radio"/> 01: Brass		<input type="radio"/> 01: Black		<input type="radio"/> 27: 2700K
						<input type="radio"/> 30: 3000K
						<input type="radio"/> 40: 4000K
						<input type="radio"/> 120V LTE
						<input type="radio"/> 120V-277V 0-10V

