

# BRITE™ RGB

RECESSED

TYPE:

PROJECT NAME:

## LIGHTING FEATURES

LED COLOUR	RGBW
OPTICS	36°, 60°, Diffused
AVERAGE LED LIFE	50.000h L80 B10

## MECHANICAL FEATURES

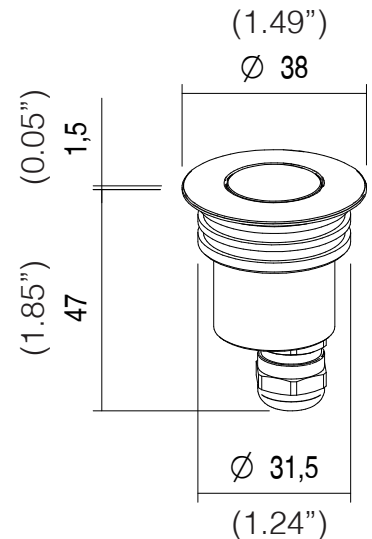
WEIGHT	Kg 0,12
FINISHES	Anodized aluminum, Steel

INSTALLATION  
*Recessed in ground with housing box,  
 recessed in plasterboard or wood with springs,  
 recessed in brickwork with housing box*

MATERIAL  
*Anticorodal anodized aluminum body, anodized aluminum or  
 AISI 316L stainless steel trim, transparent tempered glass and  
 PMMA lens*

## GENERAL FEATURES

OPERATING TEMPERATURE	-10°C +45°C
INGRESS PROTECTION	IP67
IMPACT RESISTANCE	IK08
GLOW WIRE TEST	960°C
CLASS	II



## ORDERING INFO

BRITERGB 1.6W	-	-	-	HC	-	RGB	-
Model (Order Code)	Structure Finish	Optic Options	Accessories	Filter Options	LED	Remote Driver	
<input type="radio"/> BRITERGB 1.6W	<input type="radio"/> A: Anodized Aluminum <input type="radio"/> S: AISI 316L Stainless Steel Marine Grade	<input type="radio"/> 30: 30° <input type="radio"/> 60: 60° <input type="radio"/> D: Diffused	<input type="radio"/> ML032: Torsion Spring <input type="radio"/> CAW32: Housing Box <input type="radio"/> CAI32: Housing Box	<input type="radio"/> HC: Honeycombo	<input type="radio"/> RGB	<input type="radio"/> 120V LTE <input type="radio"/> 120-277V 0-10V	




SPECIFICATION SHEET

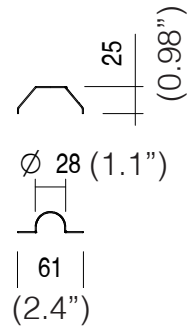
# BRITE™ RGB


RECESSED - ACCESSORIE

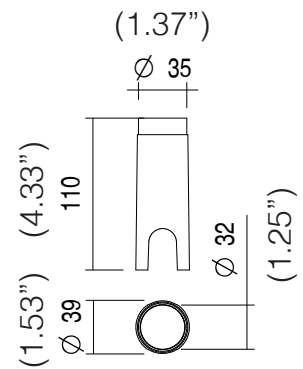
TYPE:


PROJECT NAME:

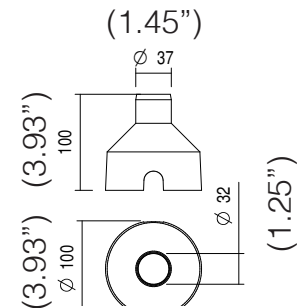
CODE	ML032
TPOLOGY	Torsion spring  kg 0,001
MATERIAL	Stainless steel



CODE	CAW32
TPOLOGY	Housing box  kg 0,09
MATERIAL	PVC



CODE	CAI32
TPOLOGY	Housing box  kg 0,06
MATERIAL	ABS



a scelta | to be chosen

SPECIFICATION SHEET

# BRITE™ RGB

RECESSED - FILTER

TYPE:

PROJECT NAME:

---

---

CODE

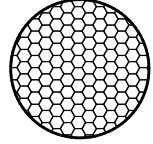
HC

---

TPOLOGY

*Honeycomb filter*

---



SPECIFICATION SHEET

**LEDOLOGY**®

A **Luminart** BRAND

WWW.LEDOLOGY.COM  
Last updated: 08/19/24