

BRITE™ ADJUSTABLE

RECESSED

TYPE:

PROJECT NAME:

LIGHTING FEATURES

| | |
|------------------------|---------------------------------------|
| LED COLOUR | 2700K, 3000K, 4000K, Red, Green, Blue |
| CRI | >80 (2700K, 3000K, 4000K) |
| OPTICS | 10°, 36°, 60° |
| 3000K REAL OUTPUT FLUX | 2,2W 145lm 36° |
| AVERAGE LED LIFE | 50.000h L80 B10 |

MECHANICAL FEATURES

WEIGHT **kg 0,27**

FINISHES *Steel*

INSTALLATION *Recessed in ground with housing box, recessed in brickwork with housing box, adjustable from the outside through Allen key set screw*

MATERIAL *Anticorodal anodized aluminum body, anodized aluminum or AISI 316L stainless steel trim, transparent tempered glass and PMMA lens*

GENERAL FEATURES

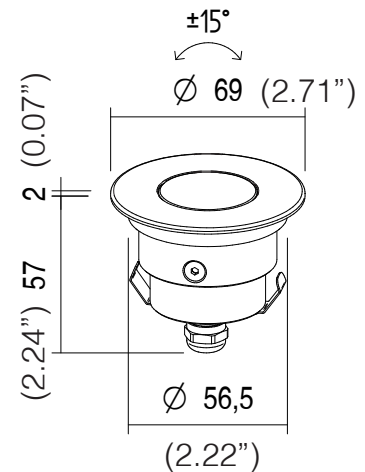
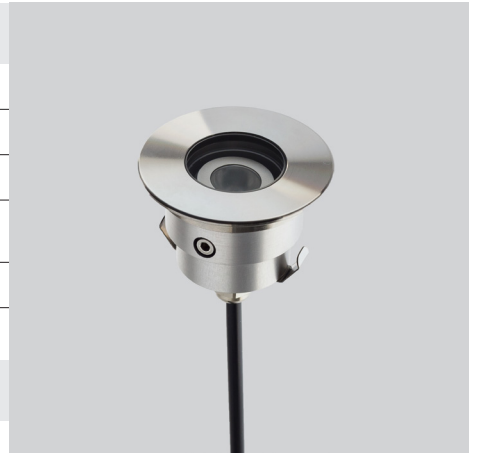
OPERATING TEMPERATURE **-10°C +45°C**

INGRESS PROTECTION **IP67**

IMPACT RESISTANCE **IK08**

GLOW WIRE TEST **960°C**

CLASS **II**



ORDERING INFO

| Model (Order Code) | Structure Finish | Optic Options | Accessories | LED | Remote Driver |
|---|---|---|--|--|--|
| <input type="radio"/> BRITEAUDJUSTABLE 2.2W | <input type="radio"/> S: AISI 316L Stainless Steel Marine Grade | <input type="radio"/> 10: 10° <input type="radio"/> 36: 36° <input type="radio"/> 60: 60° | <input type="radio"/> CA050: Housing Box | <input type="radio"/> 27: 2700K <input type="radio"/> 30: 3000K <input type="radio"/> 40: 4000K <input type="radio"/> R: Red <input type="radio"/> G: Green <input type="radio"/> B: Blue | <input type="radio"/> 120V LTE <input type="radio"/> 120-277V 0-10V |




SPECIFICATION SHEET

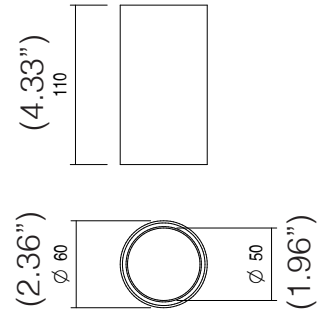
BRITE™ ADJUSTABLE

RECESSED - ACCESSORIE

TYPE:

PROJECT NAME:

| | |
|----------|--|
| CODE | CA050 |
| TPOLOGY | Housing box  kg 0,12 |
| MATERIAL | PVC |



SPECIFICATION SHEET