

BRITE™ SQUARE RGB

RECESSED

TYPE:

PROJECT NAME:

LIGHTING FEATURES

LED COLOUR	RGBW
OPTICS	36°, 60°, Diffused
AVERAGE LED LIFE	50.000h L80 B10

MECHANICAL FEATURES

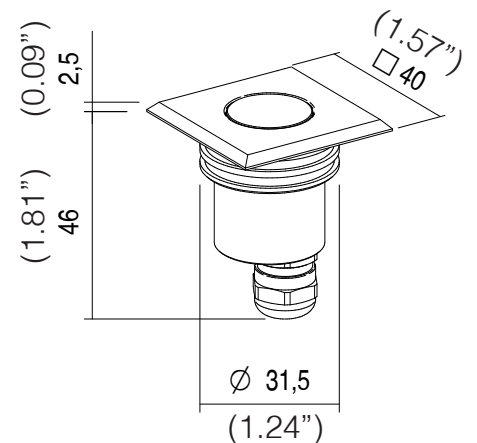
WEIGHT	Kg 0,13
FINISHES	Anodized aluminum, Steel

INSTALLATION
*Recessed in ground with housing box,
 recessed in plasterboard or wood with springs,
 recessed in brickwork with housing box*

MATERIAL
*Anticorodal anodized aluminum body, anodized aluminum or
 AISI 316L stainless steel trim, transparent tempered glass and
 PMMA lens*

GENERAL FEATURES

OPERATING TEMPERATURE	-10°C +45°C
INGRESS PROTECTION	IP67
IMPACT RESISTANCE	IK08
GLOW WIRE TEST	960°C
CLASS	II



SPECIFICATION SHEET

ORDERING INFO

BRITESQUARERGB -		-	-	HC	-	RGB	-
Model (Order Code)	Structure Finish	Optic Options	Accessories	Filter Options	LED	Remote Driver	
<input type="radio"/> BRITESQUARE RGB 1.6W	<input type="radio"/> A: Anodized Aluminum <input type="radio"/> S: AISI 316L Stainless Steel Marine Grade	<input type="radio"/> 30: 30° <input type="radio"/> 60: 60° <input type="radio"/> D: Diffused	<input type="radio"/> ML032: Torsion Spring <input type="radio"/> CAW32: Housing Box <input type="radio"/> CAI32: Housing Box	<input type="radio"/> HC: Honeycombo	<input type="radio"/> RGB	<input type="radio"/> 120V LTE <input type="radio"/> 120-277V 0-10V	



LEDOLOGY®

A **Luminart** BRAND


WWW.LEDOLOGY.COM
 Last updated: 08/19/24

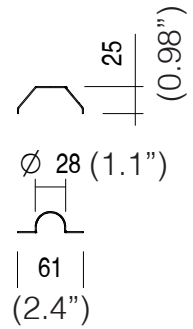
BRITE™ SQUARE RGB


RECESSED - ACCESSORIE

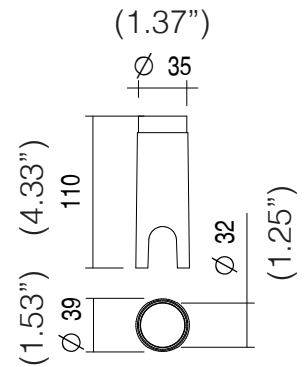
TYPE:


PROJECT NAME:

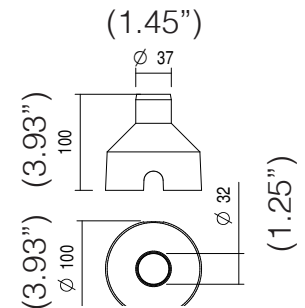
CODE	ML032
TPOLOGY	Torsion spring  kg 0,001
MATERIAL	Stainless steel



CODE	CAW32
TPOLOGY	Housing box  kg 0,09
MATERIAL	PVC



CODE	CAI32
TPOLOGY	Housing box  kg 0,06
MATERIAL	ABS



a scelta | to be chosen

SPECIFICATION SHEET

BRITE™ SQUARE RGB

RECESSED - FILTER

TYPE:

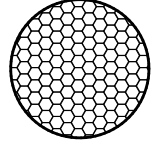
PROJECT NAME:

CODE

HC

TPOLOGY

Honeycomb filter



SPECIFICATION SHEET

LEDOLOGY®

A **Luminart** BRAND

WWW.LEDOLOGY.COM
Last updated: 08/19/24