

WETT™ L

RECESSED INGROUND SUBMERSIBLE

TYPE:

PROJECT NAME:

LIGHTING FEATURES

LED COLOUR	2200K, 2700K, 3000K, 4000K, Red, Green, Blue
CRI	>80 (2200K, 2700K, 3000K, 4000K)
OPTICS	18°, 24°, 36°, Diffused, ASYM, 60°, 20° x 50°
3000K REAL OUTPUT FLUX	9,5W 738lm 36°
AVERAGE LED LIFE	50.000h L80 B10

MECHANICAL FEATURES

WEIGHT **kg 1,12**

FINISHES *Steel*

INSTALLATION *Recessed in ground with housing box, recessed in brickwork with housing box, recessed in swimming pool with liner with housing box, flange and compensation trim, installation out of water with standard housing box, permanent immersion installation with IP68 housing box or liner kit*

MATERIAL *AISI 316L stainless steel body, AISI 316L stainless steel trim, transparent tempered glass and PMMA lens*

GENERAL FEATURES

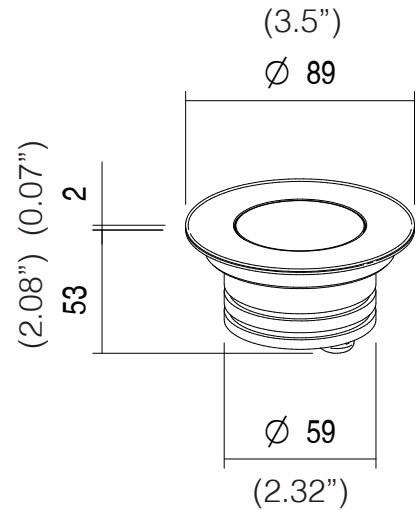
OPERATING TEMPERATURE **-10°C +45°C**

INGRESS PROTECTION **IP68**

IMPACT RESISTANCE **IK08**

GLOW WIRE TEST **960°C**

APPLIANCE CLASS **III**



ORDERING INFO

Model (Order Code)	Structure Finish	Optic Options	Accessories	Filter Options	LED	Remote Driver
<input type="radio"/> WETT L 9.5W	<input type="radio"/> S: Steel	<input type="radio"/> 18: 18° <input type="radio"/> 24: 24° <input type="radio"/> 36: 36° <input type="radio"/> 60: 60° <input type="radio"/> D: Diffused <input type="radio"/> ASYM <input type="radio"/> 2050: 20° x 50°	<input type="radio"/> CAE60: Housing Box <input type="radio"/> CA860: Housing Box <input type="radio"/> KT860: Liner Kit	<input type="radio"/> BC: Black & Clear <input type="radio"/> BD: Black & Diffused	<input type="radio"/> 22: 2200K <input type="radio"/> 27: 2700K <input type="radio"/> 30: 3000K <input type="radio"/> 40: 4000K <input type="radio"/> R: Red <input type="radio"/> G: Green <input type="radio"/> B: Blue	<input type="radio"/> 120V LTE <input type="radio"/> 120-277V 0-10V



SPECIFICATION SHEET

LEDOLOGY®

A **Luminart** BRAND


WWW.LEDOLOGY.COM
Last updated: 08/20/24

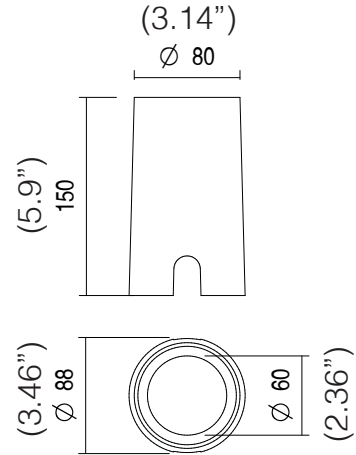
WETT™ L



RECESSED - ACCESSORIE

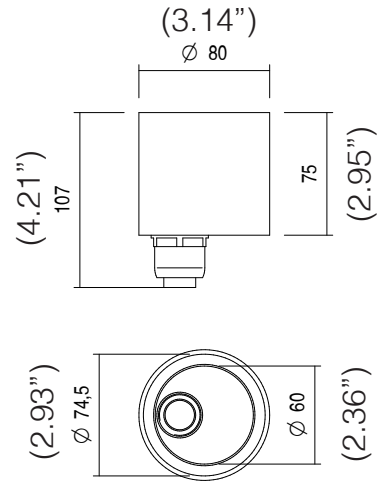
TYPE:



PROJECT NAME:

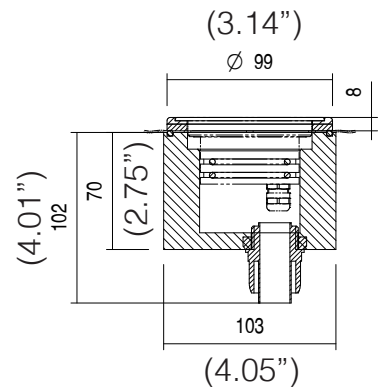
CODE	CAE60
TPOLOGY	Housing box  kg 0,28
MATERIAL	Polyethylene



CODE	CA860
TPOLOGY	IP68 Housing box   kg 0,10
MATERIAL	PVC



CODE	KT860
TPOLOGY	Liner Kit   kg 0,5
MATERIAL	Stainless steel, aluminum and PVc



SPECIFICATION SHEET

WETT™ L

RECESSED - FILTER

TYPE:

PROJECT NAME:

to be chosen

<i>CODE</i>	BC
<i>TPOLOGY</i>	<i>Black & Clear filter</i>
NOTE	<i>with 18°, 24°, 36°, 60° lens only</i>
<i>CODE</i>	BD
<i>TPOLOGY</i>	<i>Black & Diffused filter</i>
NOTE	<i>with diffused lens only</i>

