

WETT™ MAXI RGB

RECESSED INGROUND SUBMERSIBLE

TYPE:

PROJECT NAME:

LIGHTING FEATURES

LED COLOUR	RGBW
OPTICS	30°, Diffused, 40°, 64°
AVERAGE LED LIFE	50.000h L80 B10

MECHANICAL FEATURES

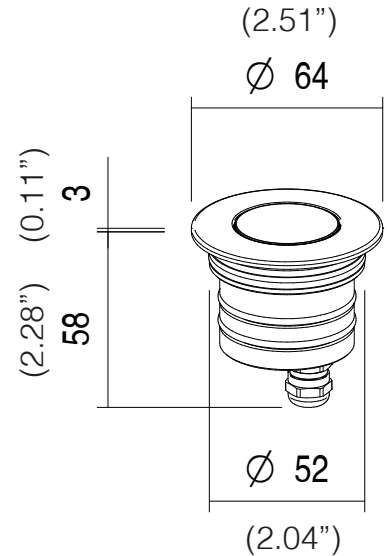
WEIGHT	kg 0,93
FINISHES	Steel

INSTALLATION
*Recessed in ground with housing box,
 recessed in brickwork with housing box,
 recessed in swimming pool with liner with housing box,
 flange and compensation trim,
 installation out of water with standard housing box,
 permanent immersion installation with IP68 housing box or liner kit*

MATERIAL
AISI 316L stainless steel body, AISI 316L stainless steel trim, transparent tempered glass and PMMA lens

GENERAL FEATURES

OPERATING TEMPERATURE	-10°C +45°C
INGRESS PROTECTION	IP68
IMPACT RESISTANCE	IK08
GLOW WIRE TEST	960°C
APPLIANCE CLASS	II



ORDERING INFO

Model (Order Code)	Structure Finish	Optic Options	Accessories	Filter Options	LED	Remote Driver
<input type="radio"/> WETTMAXI RGB 6W	<input type="radio"/> S: AISI 316L Stainless Steel Marine Grade	<input type="radio"/> 30: 30° <input type="radio"/> 40: 40° <input type="radio"/> D: Diffused <input type="radio"/> 64: 64°	<input type="radio"/> CAW53: Housing Box <input type="radio"/> CAI53: Housing Box <input type="radio"/> CA853: Housing Box <input type="radio"/> KT853: Liner Kit	<input type="radio"/> HC: Honeycombo	<input type="radio"/> RGB	<input type="radio"/> 120V LTE <input type="radio"/> 120-277V 0-10V



SPECIFICATION SHEET

LEDODOLOGY®

A **Luminart** BRAND


WWW.LEDOLOGY.COM
 Last updated: 08/20/24

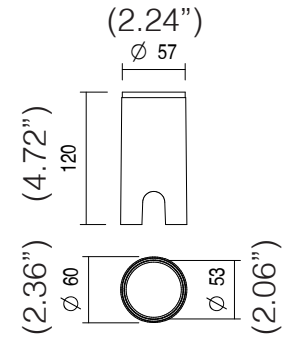
RIVER™ MAXI RGB


RECESSED - ACCESSORIE

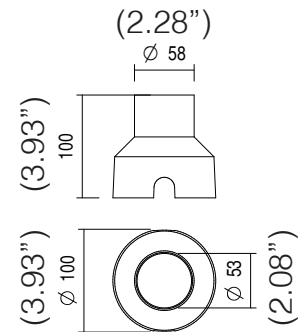
TYPE:



PROJECT NAME:

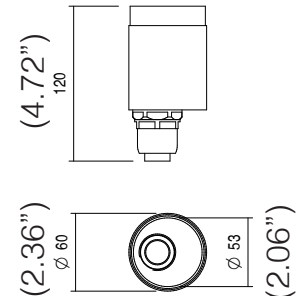
CODE	CAW53
TPOLOGY	Housing box  kg 0,09
MATERIAL	PVC



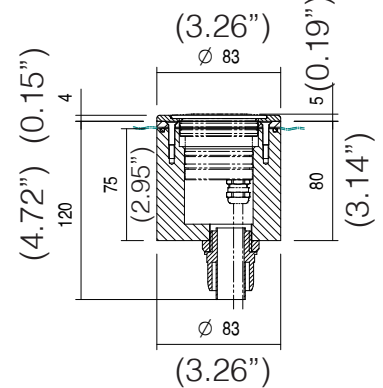
CODE	CAI53
TPOLOGY	Housing box  kg 0,06
MATERIAL	ABS



CODE	CA853
TPOLOGY	IP68 Housing box   kg 0,10
MATERIAL	PVC



CODE	KT853
TPOLOGY	Liner Kit  kg
MATERIAL	Stainless steel, aluminum and PVc



SPECIFICATION SHEET

RIVER™ MAXI RGB

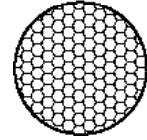
RECESSED - FILTER

TYPE:

PROJECT NAME:

to be chosen

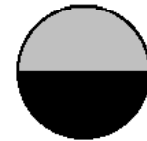
CODE	HC
TYPOLOGY	Honeycomb filter
NOTE	with 30°, 16°, 40°, 64°, 16°x 40° lens only



CODE	BC
TYPOLOGY	Black & Clear filter
NOTE	with 8°, 30°, 16°, 40°, 64°, lens only



CODE	BD
TYPOLOGY	Black & Diffused filter
NOTE	with diffused lens only



SPECIFICATION SHEET