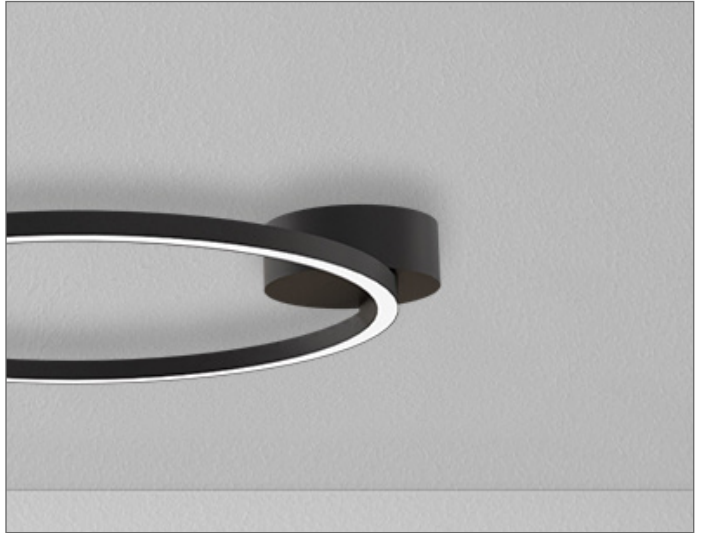
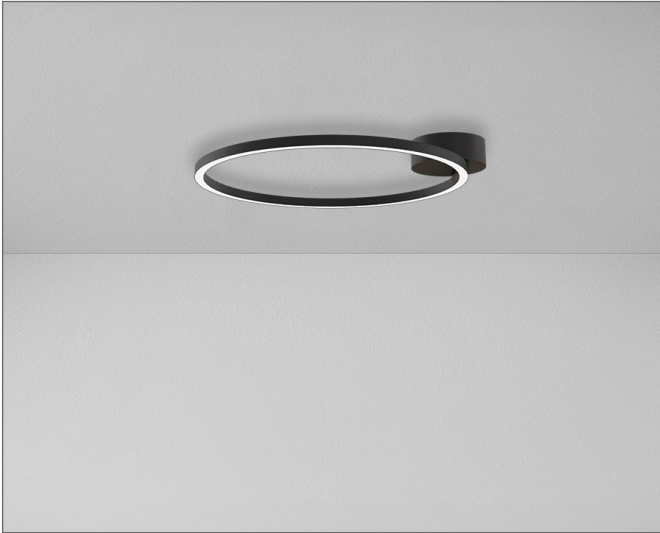


OOLA™ 500

CEILING

TYPE:

PROJECT NAME:



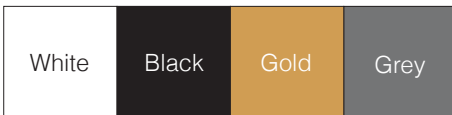
The Oola works perfectly in any interior. It will ideally fill modern spaces and give them an original feel. It has the shape of a circle, which looks perfect on its own and also with other lamps. Oola will create an unprecedented decoration in every house, even when it is switched off.

Light Source: 12W LED

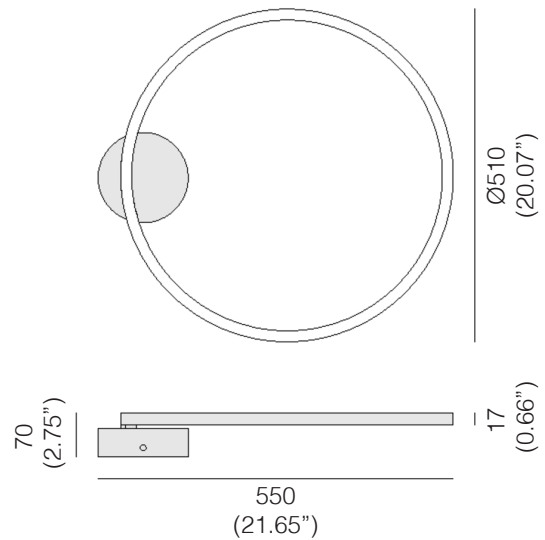
Electrical: High efficiency electronic power supply, rated 50,000 hours 120V-277V

Finish options:

White, Black, Gold, Grey



Input [W]	12W
Lum. flux of light source [lm]	800 lm



SPECIFICATION SHEET

ORDERING INFO

L59M00600			
Model (Order Code)	Finish Options	LED	Dimming Options
<input type="radio"/> L59M00600 12W	<input type="radio"/> 01: White <input type="radio"/> 02: Black <input type="radio"/> 04: Gold <input type="radio"/> 03: Grey	<input type="radio"/> 27: 2700K <input type="radio"/> 30: 3000K <input type="radio"/> 40: 4000K	<input type="radio"/> 120V LTE <input type="radio"/> 120V-277V 0-10V

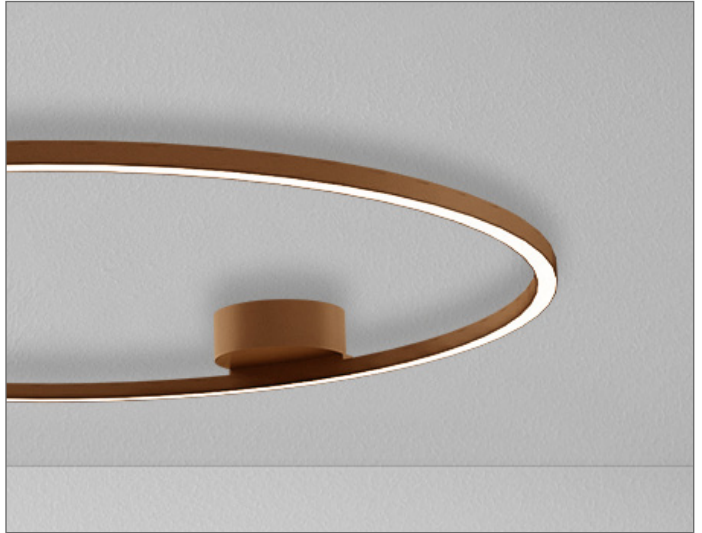


OOLA™ 900

CEILING

TYPE:

PROJECT NAME:



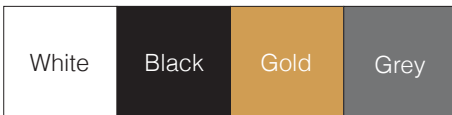
The Oola works perfectly in any interior. It will ideally fill modern spaces and give them an original feel. It has the shape of a circle, which looks perfect on its own and also with other lamps. Oola will create an unprecedented decoration in every house, even when it is switched off.

Light Source: 22W LED

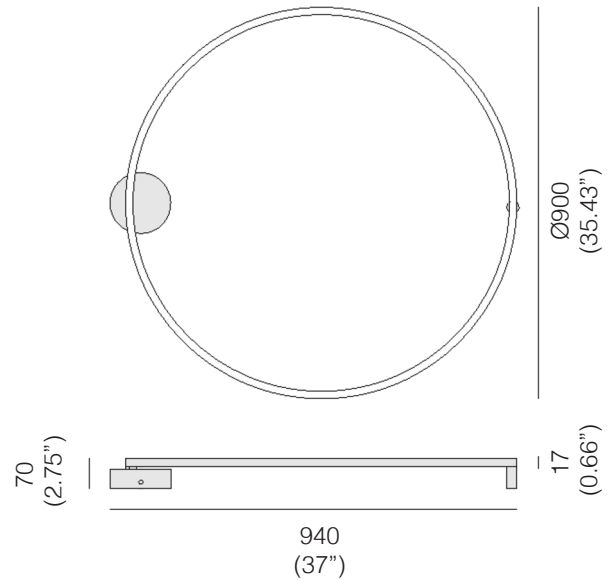
Electrical: High efficiency electronic power supply, rated 50,000 hours 120V-277V

Finish options:

White, Black, Gold, Grey



Input [W]	22W
Lum. flux of light source [lm]	1200 lm



SPECIFICATION SHEET

ORDERING INFO

L59M00610			
Model (Order Code)	Finish Options	LED	Dimming Options
<input type="radio"/> L59M00610 22W	<input type="radio"/> 01: White <input type="radio"/> 02: Black <input type="radio"/> 04: Gold <input type="radio"/> 03: Grey	<input type="radio"/> 27: 2700K <input type="radio"/> 30: 3000K <input type="radio"/> 40: 4000K	<input type="radio"/> 120V LTE <input type="radio"/> 120V-277V 0-10V

