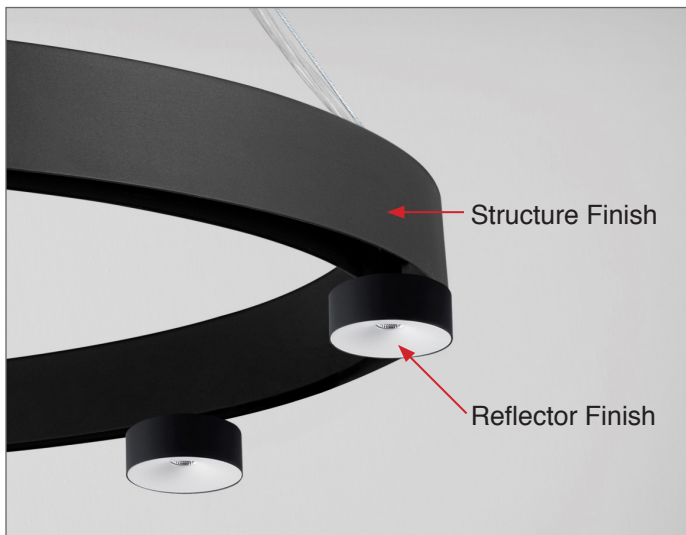


SENTRO™

SUSPENSION

TYPE:

PROJECT NAME:



Sentro will fit perfectly into modern, industrial interiors. Its original form attracts attention. Sentro will not only perfectly illuminate the interior, but will also become an intriguing decorative element.

Light Source: 31W LED

Electrical: High efficiency electronic power supply, rated 50,000 hours 120V-277V

Mounting:

Supplied with 80" (2000mm) long suspension aircraft cable (standard) and canopy. To be installed on a standard 4" octagonal junction box. Custom cable length on request (Please specify).

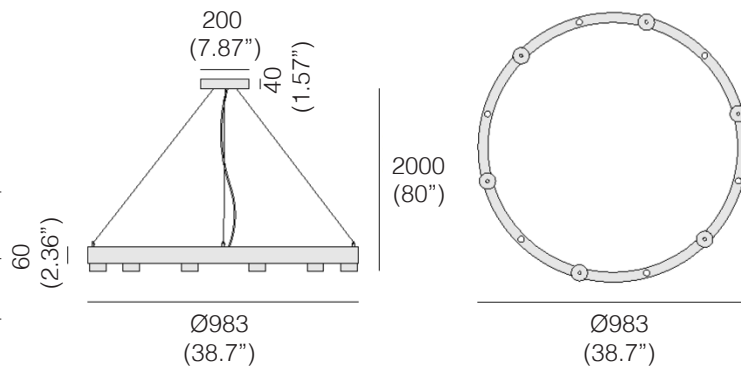
Finish options:

White, Black



Input [W] 31W

Lum. flux of light source [lm] 3270 lm



SPECIFICATION SHEET

ORDERING INFO

L59S00460

Model (Order Code)	Structure Finishes	Reflector Finishes	LED	Dimming Options
<input type="radio"/> L59S00460 31W	<input type="radio"/> 01: White <input type="radio"/> 02: Black	<input type="radio"/> 01: White <input type="radio"/> 02: Black	<input type="radio"/> 27: 2700K <input type="radio"/> 30: 3000K <input type="radio"/> 40: 4000K	<input type="radio"/> 120V LTE <input type="radio"/> 120V-277V 0-10V

