

BEA MINI™

RECESSED

TYPE:

PROJECT NAME:



SPECIFICATION SHEET

LEDOLOGY®

A **Luminart** BRAND

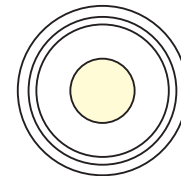
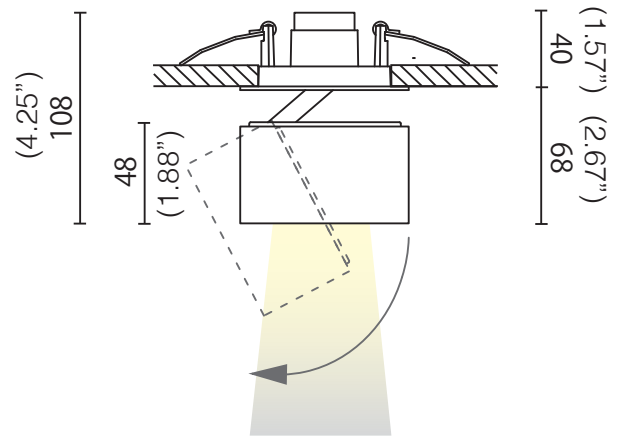
WWW.LEDOLOGY.COM
Last updated: 12/12/24

BEA MINI™

RECESSED

TYPE:

PROJECT NAME:



Ø84
(3.3")



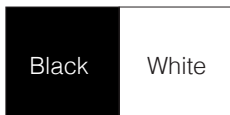
Color rendering: CRI >90

Materials: Aluminum body

Ingress protection: IP40

Lum. flux of light source [lm]	10W	1090 lm
---------------------------------------	-----	---------

Finish options:



SPECIFICATION SHEET

ORDERING INFO

Model (Order Code)	Structure Finishes	Optic Options	LED	Remote Driver Options
<input type="radio"/> L25A5-658.	<input type="radio"/> 06: Black <input type="radio"/> 08: White	<input type="radio"/> 34: 34°	<input type="radio"/> 27: 2700K <input type="radio"/> 30: 3000K	<input type="radio"/> 120V LTE <input type="radio"/> 120V-277V 0-10V

