

# FRAME+™

SURFACE MOUNTED

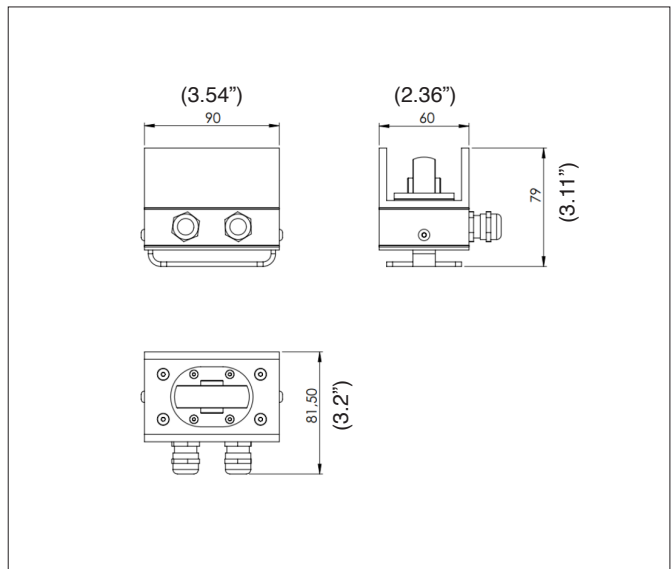
TYPE:

PROJECT NAME:



Mounting	Surface mounted. Install on a standard 4" junction box
Material	Aluminum body, PMMA optic
LED	2700K, 3000K, 4000K
Dimmer	LTE / 0-10V
Ingress Protection	IP65
CRI	>80
Class	I
Lifetime	100.000h L80B10

- 03 White   
  06 Grey   
  05 Black   
  70 Anthracite



Power [W]	Luminaire Light Flux [lm]		
	2700K	3000K	4000K
2W	283lm	295lm	307lm

## ORDERING INFO

L599447

1

1

Model (Order Code)	Power	Finish Options	Optic Options	LED	Dimming Options
<input type="radio"/> L599447	<input type="radio"/> 1: 2W	<input type="radio"/> 03: White <input type="radio"/> 06: Grey <input type="radio"/> 05: Black <input type="radio"/> 70: Anthracite	<input type="radio"/> 1: 165°x3°	<input type="radio"/> 27: 2700K <input type="radio"/> 30: 3000K <input type="radio"/> 40: 4000K	<input type="radio"/> LTE: 120V LTE <input type="radio"/> D10: 120-277V 0-10V

SPECIFICATION SHEET



LEDOLOGY®

A **Luminart** BRAND

WWW.LEDOLOGY.COM  
Last updated: 10/22/24