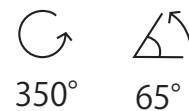
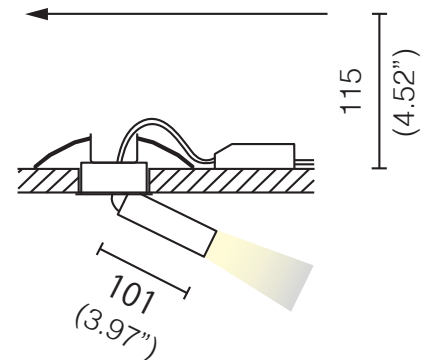
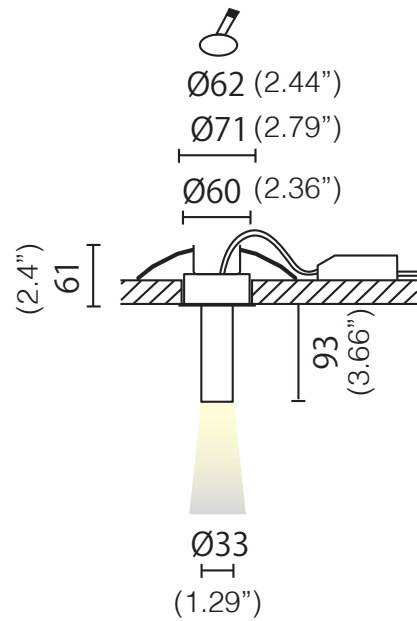


LEO MINI™

SPOTLIGHT

TYPE:

PROJECT NAME:



Color rendering: CRI >90

Materials: Aluminum body

Ingress protection: IP40

Lum. flux of light source [lm]	10W	1065 lm
---------------------------------------	-----	---------

Finish options:



SPECIFICATION SHEET

ORDERING INFO

Model (Order Code)	Structure Finishes	Optic Options	LED	Remote Driver Options
<input type="radio"/> L25A5-808	<input type="radio"/> 06: Black <input type="radio"/> 08: White <input type="radio"/> 55: Bronze <input type="radio"/> 60: Titanium	<input type="radio"/> 24: 24° <input type="radio"/> 36: 36°	<input type="radio"/> 27: 2700K <input type="radio"/> 30: 3000K	<input type="radio"/> 120V LTE <input type="radio"/> 120V-277V 0-10V



LEDODOLOGY®

A **Luminart** BRAND

WWW.LEODOLOGY.COM
Last updated: 12/12/24