

# LEXIS™

POLE

TYPE:

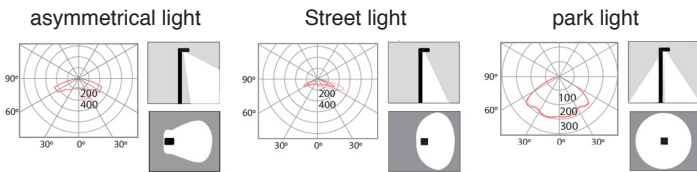
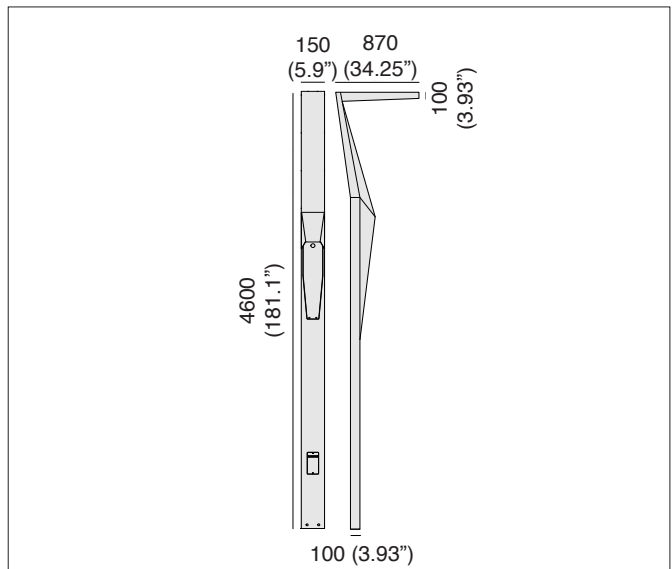
PROJECT NAME:



Mounting	Pole mounted. Optional foundation and foot cover to be ordered separately.
Material	Aluminum body, PMMA optic
LED	3000K, 4000K
Dimmer	Remote driver, LTE / 0-10V
Ingress Protection	IP65
CRI	>80
Class	I
Lifetime	100.000h L80B10

- 03 White
  06 Grey
  05 Black
  70 Anthracite

Power [W]	Luminaire Light Flux [lm]	
	3000K	4000K
17W	2008 lm	2092 lm
33W	3723 lm	3879 lm
67W	7447 lm	7757 lm



## ORDERING INFO

L599229

Model (Order Code)	Power	Finish Options	Optic Options	LED	Remote Driver Options
<input type="radio"/> L599229	<input type="radio"/> 1: 17W <input type="radio"/> 2: 33W <input type="radio"/> 3: 67W	<input type="radio"/> 03: White <input type="radio"/> 06: Grey <input type="radio"/> 05: Black <input type="radio"/> 70: Anthracite	<input type="radio"/> 1: Asymmetrical light <input type="radio"/> 2: Street light <input type="radio"/> 3: Park light	<input type="radio"/> 30: 3000K <input type="radio"/> 40: 4000K	<input type="radio"/> LTE: 120V LTE <input type="radio"/> D10: 120-277V 0-10V

SPECIFICATION SHEET




LEDODOLOGY®

A **Luminart** BRAND

WWW.LEDOLOGY.COM  
Last updated: 10/22/24

### ACCESSORIES ORDERING INFO

Model (Order Code)	Quantity	
<input type="radio"/> L591300.1000: Foundation	-	
<input type="radio"/> L5990.37C: Foot cover	-	