

# LP DOUBLE™ H3000

POLE

TYPE:

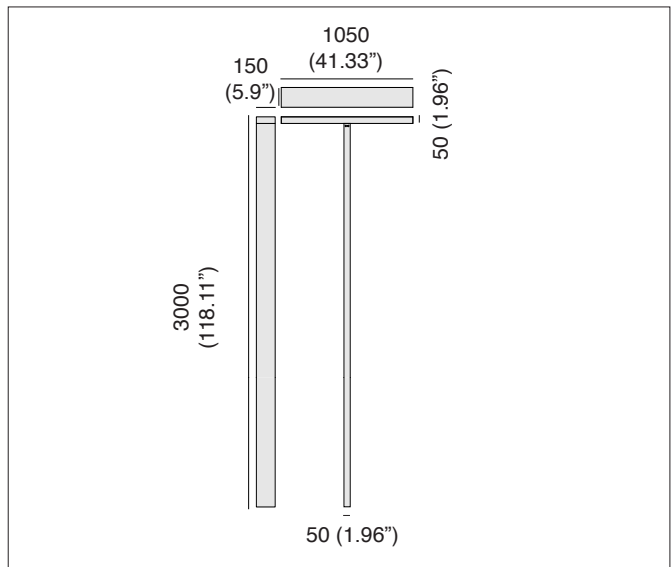
PROJECT NAME:



Mounting	Pole mounted. Optional foundation and foot cover to be ordered separately.
Material	Aluminum body, PMMA optic
LED	3000K, 4000K
Dimmer	Remote driver, LTE / 0-10V
Ingress Protection	IP65
CRI	>80
Class	I
Lifetime	100.000h L80B10

- 03 White
  06 Grey
  05 Black
  70 Anthracite

Power [W]	Luminaire Light Flux [lm]	
	3000K	4000K
34W	4205lm	4381lm
66W	7797lm	8122lm
134W	15595lm	16244lm



SPECIFICATION SHEET

ORDERING INFO						
L599323 H3000 - - - 1 - -						
Model (Order Code)	Power	Finish Options	Optic Options	LED	Remote Driver Options	
<input type="radio"/> L599323 H3000	<input type="radio"/> 1: 34W <input type="radio"/> 2: 66W <input type="radio"/> 3: 134W	<input type="radio"/> 03: White <input type="radio"/> 06: Grey <input type="radio"/> 05: Black <input type="radio"/> 70: Anthracite	<input type="radio"/> 1: Symmetrical	<input type="radio"/> 30: 3000K <input type="radio"/> 40: 4000K	<input type="radio"/> LTE: 120V LTE <input type="radio"/> D10: 120-277V 0-10V	



LEDOLOGY®

A **Luminart** BRAND

WWW.LEDOLOGY.COM  
Last updated: 10/22/24

# LP DOUBLE™ H4000

POLE

TYPE:

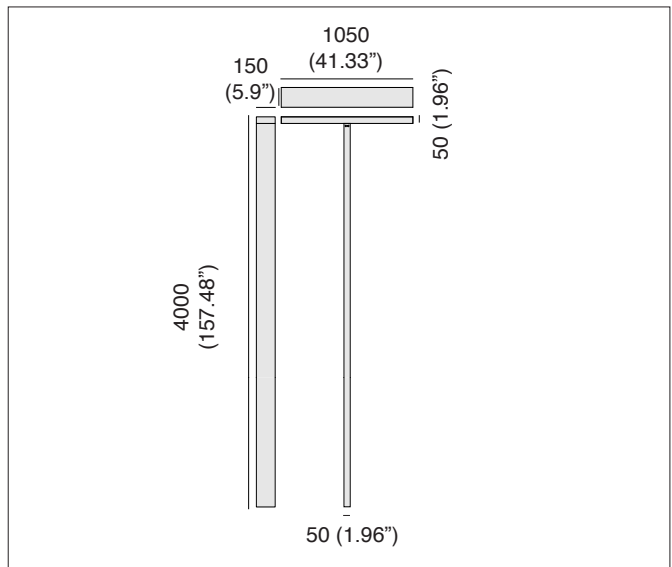
PROJECT NAME:



Mounting	Pole mounted. Optional foundation and foot cover to be ordered separately.
Material	Aluminum body, PMMA optic
LED	3000K, 4000K
Dimmer	Remote driver, LTE / 0-10V
Ingress Protection	IP65
CRI	>80
Class	I
Lifetime	100.000h L80B10

- 03 White
  06 Grey
  05 Black
  70 Anthracite

Power [W]	Luminaire Light Flux [lm]	
	3000K	4000K
34W	4205lm	4381lm
66W	7797lm	8122lm
134W	15595lm	16244lm



## ORDERING INFO

L599323 H4000 - - - 1 - -

Model (Order Code)	Power	Finish Options	Optic Options	LED	Remote Driver Options
<input type="radio"/> L599323 H4000	<input type="radio"/> 1: 34W <input type="radio"/> 2: 66W <input type="radio"/> 3: 134W	<input type="radio"/> 03: White <input type="radio"/> 06: Grey <input type="radio"/> 05: Black <input type="radio"/> 70: Anthracite	<input type="radio"/> 1: Symmetrical	<input type="radio"/> 30: 3000K <input type="radio"/> 40: 4000K	<input type="radio"/> LTE: 120V LTE <input type="radio"/> D10: 120-277V 0-10V

SPECIFICATION SHEET



LEDOLOGY®

A **Luminart** BRAND

WWW.LEDOLOGY.COM  
Last updated: 10/22/24

# LP DOUBLE™ H5000

POLE

TYPE:

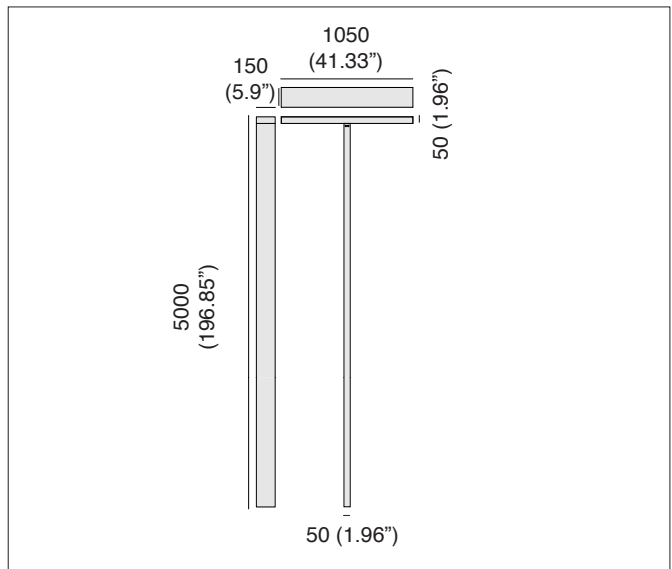
PROJECT NAME:



Mounting	Pole mounted. Optional foundation and foot cover to be ordered separately.
Material	Aluminum body, PMMA optic
LED	3000K, 4000K
Dimmer	Remote driver, LTE / 0-10V
Ingress Protection	IP65
CRI	>80
Class	I
Lifetime	100.000h L80B10

- 03 White
  06 Grey
  05 Black
  70 Anthracite

Power [W]	Luminaire Light Flux [lm]	
	3000K	4000K
34W	4205lm	4381lm
66W	7797lm	8122lm
134W	15595lm	16244lm



SPECIFICATION SHEET

ORDERING INFO						
L599323 H5000 - - - 1 - -						
Model (Order Code)	Power	Finish Options	Optic Options	LED	Remote Driver Options	
<input type="radio"/> L599323 H5000	<input type="radio"/> 1: 34W <input type="radio"/> 2: 66W <input type="radio"/> 3: 134W	<input type="radio"/> 03: White <input type="radio"/> 06: Grey <input type="radio"/> 05: Black <input type="radio"/> 70: Anthracite	<input type="radio"/> 1: Symmetrical	<input type="radio"/> 30: 3000K <input type="radio"/> 40: 4000K	<input type="radio"/> LTE: 120V LTE <input type="radio"/> D10: 120-277V 0-10V	





# LP DOUBLE™

POLE

TYPE:

PROJECT NAME:

## ACCESSORIES ORDERING INFO

Model (Order Code)	Quantity	
<input type="radio"/> L59 1300.1000: Foundation	-	
<input type="radio"/> L5990.13C: Foot cover	-	

SPECIFICATION SHEET