

# LSPX+™ 90 RGB

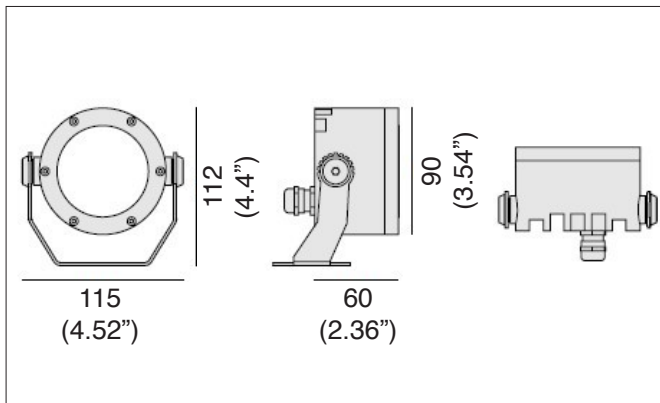
SPOTLIGHT

TYPE:

PROJECT NAME:



Mounting	Ground mounted with adjustable holder and anchor or base. Pole mounted with luminaire holder for max. 2 Piston on Ø60mm (2.36"), Ø100mm (3.93") or Ø120mm (4.72") tube. Tree mounted with bracket.
Material	Aluminum body, PMMA optic
LED	RGB
Dimmer	Remote driver, LTE / 0-10V
Ingress Protection	IP67
CRI	>80
Class	II
Lifetime	100.000h L80B10



Power [W]	Luminaire Light Flux [lm]	
	RGB	
4W	248 lm	

- 03 White
  06 Grey
  05 Black
  70 Anthracite

SPECIFICATION SHEET

## ORDERING INFO

L599267 90LVRGB	-	4	-	-	RGB	-
Model (Order Code)	Power	Finish Options	Optic Options	LED	Remote Driver Options	
<input type="radio"/> L599267 90LVRGB	<input type="radio"/> 4: 4W	<input type="radio"/> 03: White <input type="radio"/> 06: Grey <input type="radio"/> 05: Black <input type="radio"/> 70: Anthracite	<input type="radio"/> 10: 10° <input type="radio"/> 20: 20° <input type="radio"/> 30: 30° <input type="radio"/> 40: 40° <input type="radio"/> 60: 60° <input type="radio"/> 41: 10° x 45° <input type="radio"/> 8: 8° Wall-washing <input type="radio"/> 45: 45° Wall-washing <input type="radio"/> 02: Asymmetrical	<input type="radio"/> RGB	<input type="radio"/> LTE: 120V LTE <input type="radio"/> D10: 120-277V 0-10V	



LEDOLOGY®

A **Luminart** BRAND

WWW.LEDOLOGY.COM  
Last updated: 09/06/24

# LSPX+™ 90 RGB

SPOTLIGHT

TYPE:

PROJECT NAME:

## ACCESSORIES ORDERING INFO

Model (Order Code)	Quantity	
<input type="radio"/> 90.10: Splitter box connector IP67	-	
<input type="radio"/> 90.01: Honeycomb (anti-glare)	-	
<input type="radio"/> 90.02C: Anti-glare cover 360	-	
<input type="radio"/> 90.03C: Anti-glare cover 180	-	
<input type="radio"/> 90.35: Anchor 200	-	
<input type="radio"/> 90.43C: Base/ cover	-	
<input type="radio"/> 90.45C: Bracket	-	  (Mount to tree)
<input type="radio"/> 90.39C: luminaire holder for Ø60mm (2.36") pole <input type="radio"/> 90.51C: luminaire holder for Ø100mm (3.93") pole <input type="radio"/> 90.52C: luminaire holder for Ø1200mm (4.72") pole	-	  (Mount max. 2 Piston luminaires on pole.)

SPECIFICATION SHEET

# LSPX+™ 140 RGB

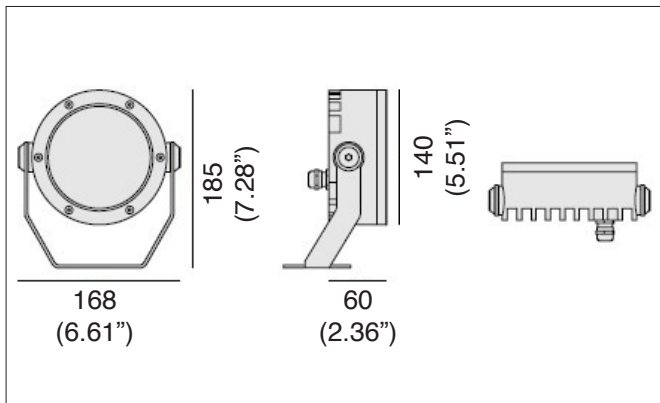
SPOTLIGHT

TYPE:

PROJECT NAME:



Mounting	Ground mounted with adjustable holder and anchor or base. Pole mounted with luminaire holder for max. 2 Piston on Ø60mm (2.36"), Ø100mm (3.93") or Ø120mm (4.72") tube. Tree mounted with bracket.
Material	Aluminum body, PMMA optic
LED	RGB
Dimmer	Remote driver, LTE / 0-10V
Ingress Protection	IP67
CRI	>80
Class	II
Lifetime	100.000h L80B10



Power [W]	Luminaire Light Flux [lm]	
	RGB	
16W	992 lm	

- 03 White
  06 Grey
  05 Black
  70 Anthracite

SPECIFICATION SHEET

## ORDERING INFO

L599268 140LVRGB	-	16	-	-	RGB	-
Model (Order Code)	Power	Finish Options	Optic Options	LED	Remote Driver Options	
<input type="radio"/> L599268 140LVRGB	<input type="radio"/> 16: 16W	<input type="radio"/> 03: White <input type="radio"/> 06: Grey <input type="radio"/> 05: Black <input type="radio"/> 70: Anthracite	<input type="radio"/> 10: 10° <input type="radio"/> 20: 20° <input type="radio"/> 30: 30° <input type="radio"/> 40: 40° <input type="radio"/> 60: 60° <input type="radio"/> 41: 10° x 45° <input type="radio"/> 8: 8° Wall-washing <input type="radio"/> 45: 45° Wall-washing <input type="radio"/> 02: Asymmetrical	<input type="radio"/> RGB	<input type="radio"/> LTE: 120V LTE <input type="radio"/> D10: 120-277V 0-10V	



LEDODOLOGY®

A **Luminart** BRAND

WWW.LEODOLOGY.COM  
Last updated: 09/06/24

# LSPX+™ 140 RGB

SPOTLIGHT

TYPE:

PROJECT NAME:

## ACCESSORIES ORDERING INFO

Model (Order Code)	Quantity	
<input type="radio"/> 90.10: Splitter box connector IP67	-	
<input type="radio"/> 90.04: Honeycomb (anti-glare)	-	
<input type="radio"/> 90.05C: Anti-glare cover 360	-	
<input type="radio"/> 90.06C: Anti-glare cover 180	-	
<input type="radio"/> 90.36: Anchor 300	-	
<input type="radio"/> 90.44C: Base/ cover	-	
<input type="radio"/> 90.46C: Bracket	-	  (Mount to tree)
<input type="radio"/> 90.39C: luminaire holder for Ø60mm (2.36") pole <input type="radio"/> 90.51C: luminaire holder for Ø100mm (3.93") pole <input type="radio"/> 90.52C: luminaire holder for Ø1200mm (4.72") pole	-	  (Mount max. 2 Piston luminaires on pole.)
<input type="radio"/> 90.42C: Bracket	-	 (Mount to ground)

SPECIFICATION SHEET

# LSPX+™ 200 RGB

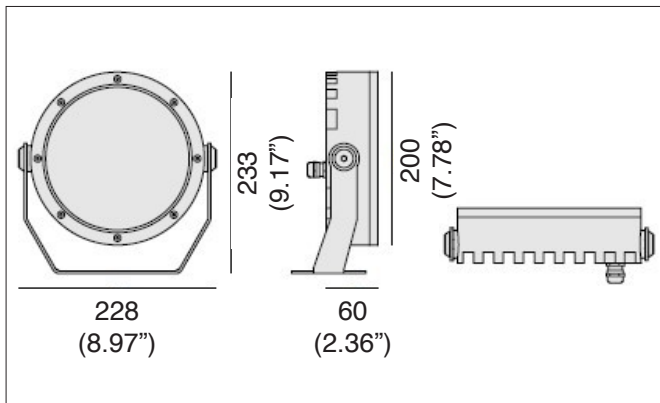
SPOTLIGHT

TYPE:

PROJECT NAME:



Mounting	Ground mounted with adjustable holder and anchor or base. Pole mounted with luminaire holder for max. 2 Piston on Ø60mm (2.36"), Ø100mm (3.93") or Ø120mm (4.72") tube. Tree mounted with bracket.
Material	Aluminum body, PMMA optic
LED	RGB
Dimmer	Remote driver, LTE / 0-10V
Ingress Protection	IP67
CRI	>80
Class	II
Lifetime	100.000h L80B10



Power [W]	Luminaire Light Flux [lm]	
	RGB	
36W	2232 lm	

- 03 White
  06 Grey
  05 Black
  70 Anthracite

SPECIFICATION SHEET

## ORDERING INFO

L599269 200LVRGB	-	36	-	-	RGB	-
Model (Order Code)	Power	Finish Options	Optic Options	LED	Remote Driver Options	
<input type="radio"/> L599269 200LVRGB	<input type="radio"/> 36: 36W	<input type="radio"/> 03: White <input type="radio"/> 06: Grey <input type="radio"/> 05: Black <input type="radio"/> 70: Anthracite	<input type="radio"/> 10: 10° <input type="radio"/> 20: 20° <input type="radio"/> 30: 30° <input type="radio"/> 40: 40° <input type="radio"/> 60: 60° <input type="radio"/> 41: 10° x 45° <input type="radio"/> 8: 8° Wall-washing <input type="radio"/> 45: 45° Wall-washing <input type="radio"/> 02: Asymmetrical	<input type="radio"/> RGB	<input type="radio"/> LTE: 120V LTE <input type="radio"/> D10: 120-277V 0-10V	



LEDOLOGY®

A **Luminart** BRAND

WWW.LEDOLOGY.COM  
Last updated: 09/06/24

# LSPX+™ 200 RGB

SPOTLIGHT

TYPE:

PROJECT NAME:

## ACCESSORIES ORDERING INFO

Model (Order Code)	Quantity	
<input type="radio"/> 90.10: Splitter box connector IP67	-	
<input type="radio"/> 90.07: Honeycomb (anti-glare)	-	
<input type="radio"/> 90.08C: Anti-glare cover 360	-	
<input type="radio"/> 90.09C: Anti-glare cover 180	-	
<input type="radio"/> 90.36: Anchor 300	-	
<input type="radio"/> 90.53C: Base/ cover	-	
<input type="radio"/> 90.47C: Bracket	-	  <p>(Mount to tree)</p>
<input type="radio"/> 90.39C: luminaire holder for Ø60mm (2.36") pole <input type="radio"/> 90.51C: luminaire holder for Ø100mm (3.93") pole <input type="radio"/> 90.52C: luminaire holder for Ø1200mm (4.72") pole	-	  <p>(Mount max. 2 Piston luminaires on pole.)</p>

SPECIFICATION SHEET