

LSQ™ 630

SUSPENSION

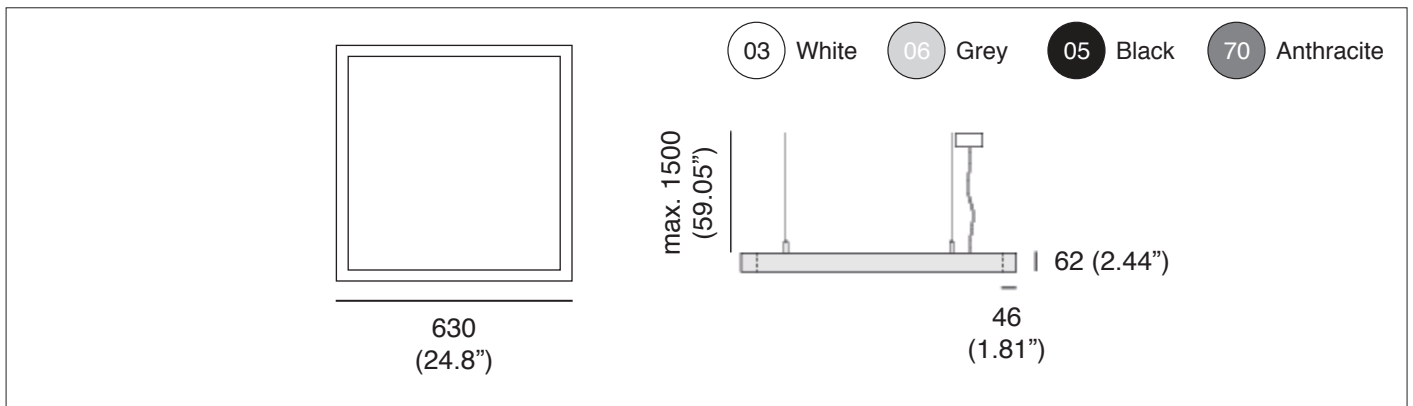
TYPE:

PROJECT NAME:



Mounting	Supplied with a max. 1.5m (59.05") long aircraft cable and canopy. To be installed on a 4" junction box.
Material	Aluminum body, opal diffuser
LED	2700K, 3000K, 4000K
Ingress Protection	IP20
CRI	>80
Class	I
Lifetime	100.000h L80B10

Power [W]	Luminaire Light Flux [lm]		
	2700K	3000K	4000K
38W	3903 lm	4152 lm	4417 lm
56W	5377 lm	5721 lm	6086 lm



ORDERING INFO

L596015

Model (Order Code)	Power	Finish Options	Accessories	LED	Dimming Options
<input type="radio"/> L596015	<input type="radio"/> 38: 38W <input type="radio"/> 56: 56W	<input type="radio"/> 03: White <input type="radio"/> 06: Grey <input type="radio"/> 05: Black <input type="radio"/> 70: Anthracite	<input type="radio"/> 60.01C: Ø140 (5.51") Canopy	<input type="radio"/> 27: 2700K <input type="radio"/> 30: 3000K <input type="radio"/> 40: 4000K	<input type="radio"/> LTE: 120V LTE <input type="radio"/> D10: 120-277V 0-10V

SPECIFICATION SHEET



LEDOLOGY®

A **Luminart** BRAND

WWW.LEDOLOGY.COM
Last updated: 09/09/24

LSQ™ 910

SUSPENSION

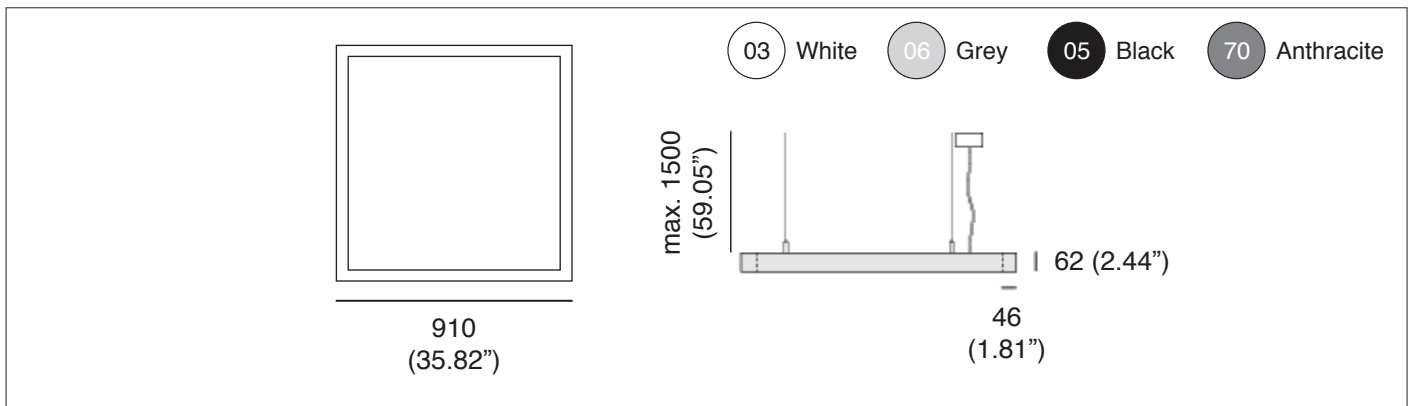
TYPE:

PROJECT NAME:



Mounting	Supplied with a max. 1.5m (59.05") long aircraft cable and canopy. To be installed on a 4" junction box.
Material	Aluminum body, opal diffuser
LED	2700K, 3000K, 4000K
Ingress Protection	IP20
CRI	>80
Class	I
Lifetime	100.000h L80B10

Power [W]	Luminaire Light Flux [lm]		
	2700K	3000K	4000K
58W	5851 lm	6224 lm	6622 lm
84W	8067 lm	8581 lm	9129 lm



ORDERING INFO

L596016

Model (Order Code)	Power	Finish Options	Accessories	LED	Dimming Options
<input type="radio"/> L596016	<input type="radio"/> 58: 58W <input type="radio"/> 84: 84W	<input type="radio"/> 03: White <input type="radio"/> 06: Grey <input type="radio"/> 05: Black <input type="radio"/> 70: Anthracite	<input type="radio"/> 60.01C: Ø140 (5.51") Canopy	<input type="radio"/> 27: 2700K <input type="radio"/> 30: 3000K <input type="radio"/> 40: 4000K	<input type="radio"/> LTE: 120V LTE <input type="radio"/> D10: 120-277V 0-10V

SPECIFICATION SHEET



LEDOLOGY®

A **Luminart** BRAND

WWW.LEDOLOGY.COM
Last updated: 09/09/24

LSQ™ 1190

SUSPENSION

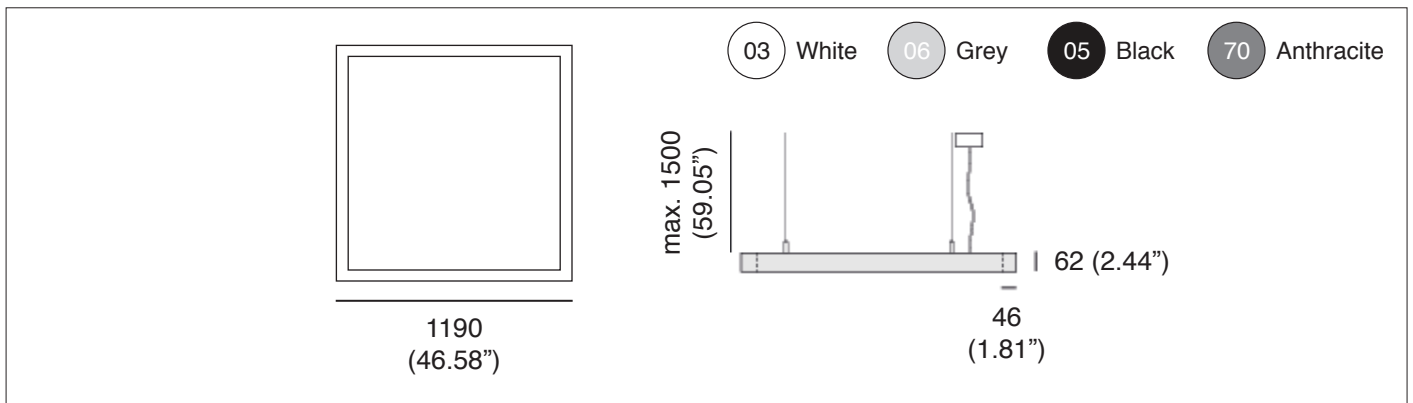
TYPE:

PROJECT NAME:



Mounting	Supplied with a max. 1.5m (59.05") long aircraft cable and canopy. To be installed on a 4" junction box.
Material	Aluminum body, opal diffuser
LED	2700K, 3000K, 4000K
Ingress Protection	IP20
CRI	>80
Class	I
Lifetime	100.000h L80B10

Power [W]	Luminaire Light Flux [lm]		
	2700K	3000K	4000K
76W	7801 lm	8299 lm	8829 lm
111W	10755 lm	11441 lm	12172 lm



ORDERING INFO

L596017

Model (Order Code)	Power	Finish Options	Accessories	LED	Dimming Options
<input type="radio"/> L596017	<input type="radio"/> 76: 76W <input type="radio"/> 111: 111W	<input type="radio"/> 03: White <input type="radio"/> 06: Grey <input type="radio"/> 05: Black <input type="radio"/> 70: Anthracite	<input type="radio"/> 60.01C: Ø140 (5.51") Canopy	<input type="radio"/> 27: 2700K <input type="radio"/> 30: 3000K <input type="radio"/> 40: 4000K	<input type="radio"/> LTE: 120V LTE <input type="radio"/> D10: 120-277V 0-10V

SPECIFICATION SHEET



LEDOLOGY®

A **Luminart** BRAND

WWW.LEDOLOGY.COM
Last updated: 09/09/24

LSQ™ 1469

SUSPENSION

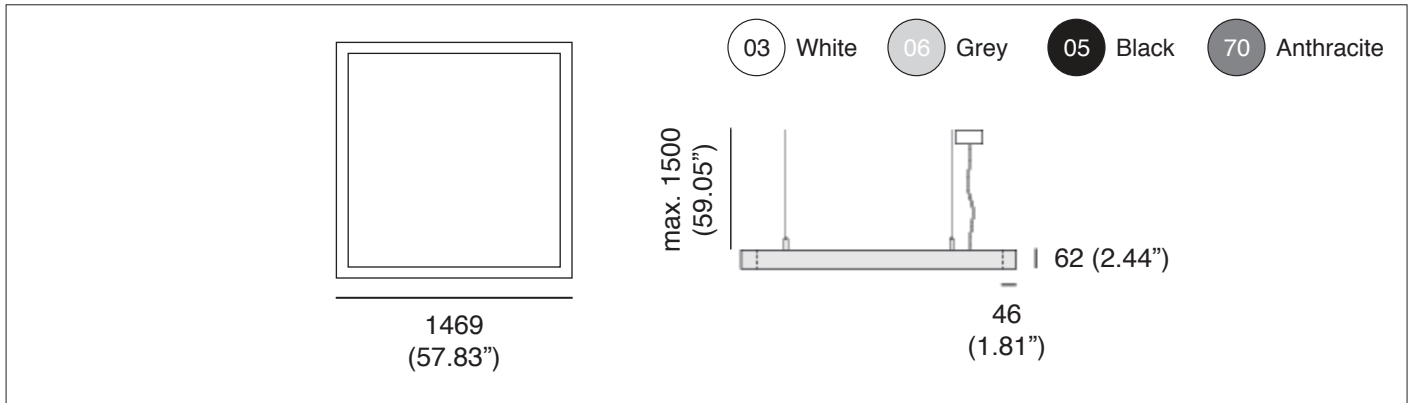
TYPE:

PROJECT NAME:



Mounting	Supplied with a max. 1.5m (59.05") long aircraft cable and canopy. To be installed on a 4" junction box.
Material	Aluminum body, opal diffuser
LED	2700K, 3000K, 4000K
Ingress Protection	IP20
CRI	>80
Class	I
Lifetime	100.000h L80B10

Power [W]	Luminaire Light Flux [lm]		
	2700K	3000K	4000K
94W	9751 lm	10374 lm	11036 lm
138W	13444 lm	14302 lm	15215 lm



ORDERING INFO

L596018

Model (Order Code)	Power	Finish Options	Accessories	LED	Dimming Options
<input type="radio"/> L596018	<input type="radio"/> 94: 94W <input type="radio"/> 138: 138W	<input type="radio"/> 03: White <input type="radio"/> 06: Grey <input type="radio"/> 05: Black <input type="radio"/> 70: Anthracite	<input type="radio"/> 60.01C: Ø140 (5.51") Canopy	<input type="radio"/> 27: 2700K <input type="radio"/> 30: 3000K <input type="radio"/> 40: 4000K	<input type="radio"/> LTE: 120V LTE <input type="radio"/> D10: 120-277V 0-10V

SPECIFICATION SHEET



LEDOLOGY®

A **Luminart** BRAND

WWW.LEDOLOGY.COM
Last updated: 09/09/24