

LWK™ 100

WALL

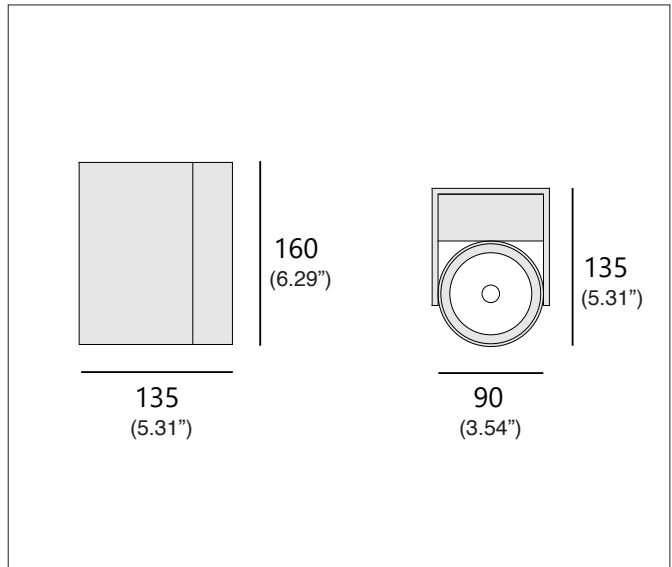
TYPE:

PROJECT NAME:



Mounting	Wall mounted. Install on a standard 4" junction box.
Material	Aluminum body, PMMA optic
LED	3000K, 4000K
Dimmer	LTE / 0-10V
Ingress Protection	IP20
CRI	>80
Class	I
Lifetime	100.000h L80B10

- 03 White
 06 Grey
 05 Black
 70 Anthracite



Power [W]	Luminaire Light Flux [lm]	
	3000K	4000K
10W	1076lm	1121lm
15W	1612lm	1749lm

ORDERING INFO

Model (Order Code)	Holder Finish	Body Finish	Optic Options	LED	Dimming Options
<input type="radio"/> L597001 10W	<input type="radio"/> 03: White	<input type="radio"/> 03: White	<input type="radio"/> 1: 36° direct downlight	<input type="radio"/> 30: 3000K	<input type="radio"/> LTE: 120V LTE
<input type="radio"/> L597001 15W	<input type="radio"/> 06: Grey	<input type="radio"/> 06: Grey		<input type="radio"/> 40: 4000K	<input type="radio"/> D10: 120-277V 0-10V
	<input type="radio"/> 05: Black	<input type="radio"/> 05: Black			
	<input type="radio"/> 70: Anthracite	<input type="radio"/> 70: Anthracite			

SPECIFICATION SHEET



LEDOLOGY®

A **Luminart** BRAND

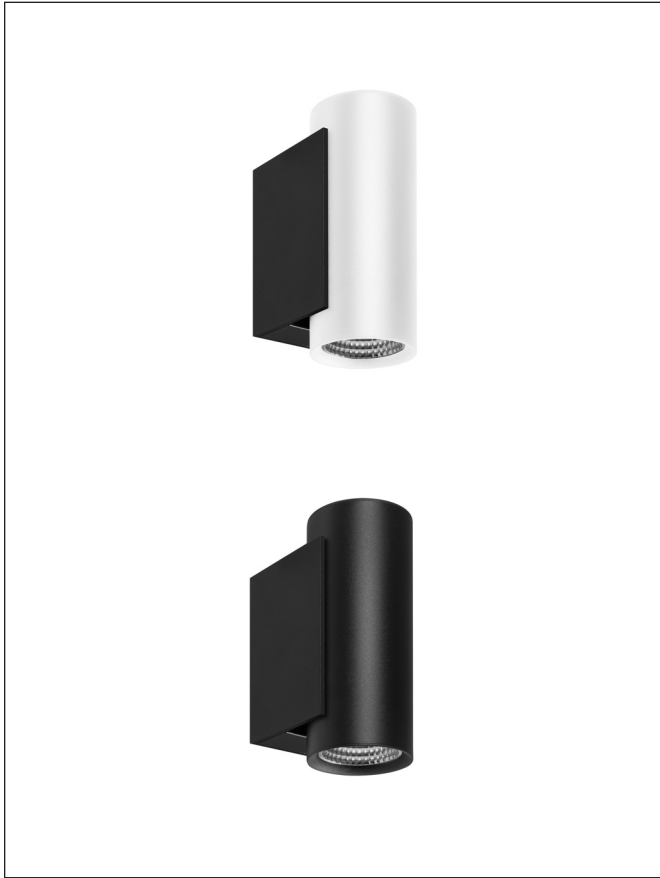
WWW.LEDOLOGY.COM
Last updated: 10/22/24

LWK™ 200

WALL

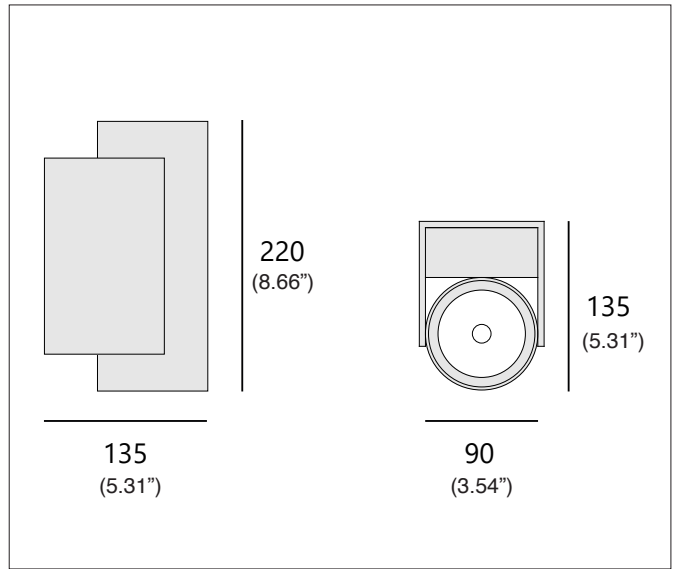
TYPE:

PROJECT NAME:



Mounting	Wall mounted. Install on a standard 4" junction box.
Material	Aluminum body, PMMA optic
LED	3000K, 4000K
Dimmer	LTE / 0-10V
Ingress Protection	IP20
CRI	>80
Class	I
Lifetime	100.000h L80B10

- 03 White
 06 Grey
 05 Black
 70 Anthracite



Power [W]	Luminaire Light Flux [lm]	
	3000K	4000K
18W	2065lm	2241lm

ORDERING INFO

L597002

1

Model (Order Code)	Holder Finish	Body Finish	Optic Options	LED	Dimming Options
<input type="radio"/> L597002 18W	<input type="radio"/> 03: White <input type="radio"/> 06: Grey <input type="radio"/> 05: Black <input type="radio"/> 70: Anthracite	<input type="radio"/> 03: White <input type="radio"/> 06: Grey <input type="radio"/> 05: Black <input type="radio"/> 70: Anthracite	<input type="radio"/> 1: 36° direct downlight direct downlight and indirect uplight	<input type="radio"/> 30: 3000K <input type="radio"/> 40: 4000K	<input type="radio"/> LTE: 120V LTE <input type="radio"/> D10: 120-277V 0-10V

SPECIFICATION SHEET



LEDOLOGY®

A **Luminart** BRAND

WWW.LEDOLOGY.COM
Last updated: 10/22/24