

# MATRIX™ S FOUR LED

L4.140 4 X 12W LED

TYPE:

PROJECT NAME:

L4.140L

PLH140

MODEL #

FINISH

LED COLOUR

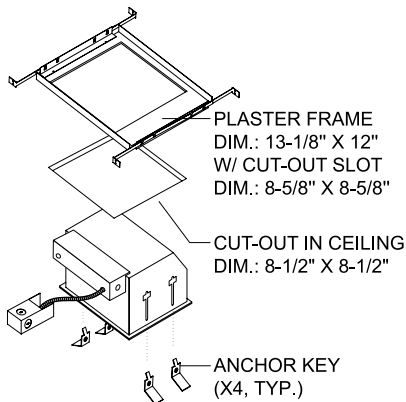
OPTIC

HOUSING

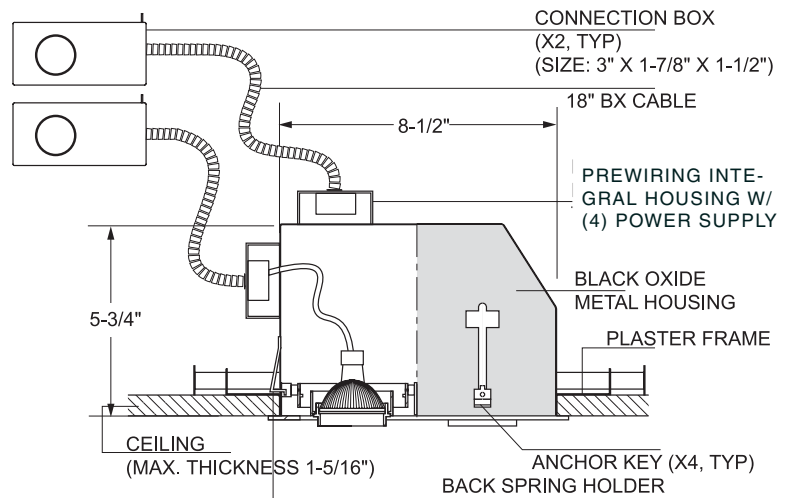
VOLTAGE



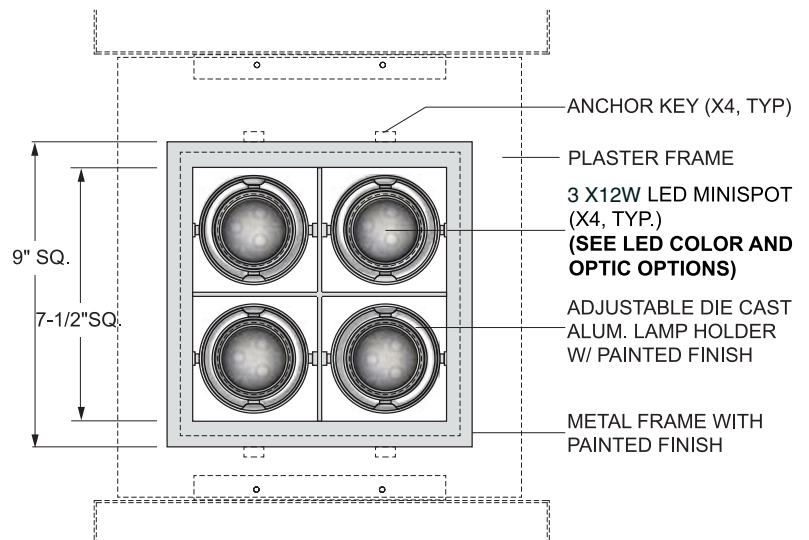
## CUT-OUT DIMENSIONS



## SECTION VIEW



## BOTTOM VIEW



## ACCESSORIES

- L4.050 - FROSTED GLASS
- L4.658 - COLORED GLASS  
05 - RED  
06 - YELLOW  
09 - SKY BLUE
- L4.675 - LOUVRE
- L4.111 - VISOR
- L4.113 - ANTIGLARE

OPTIC  10° - SPOT  25° - FLOOD

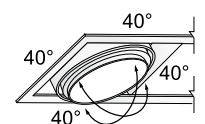
LED COLOUR  00 - 12W LED COOL WHITE 4300K  
 01 - 12W LED WARM WHITE 2700K

## METAL FINISH

01. WHITE  02. BLACK  10. GREY



## TILT ANGLE



VOLTAGE  120V  220V

SPECIFICATION SHEET

LEDOLOGY®

A **Luminart** BRAND

WWW.LUMINARTLIGHTING.COM

# MATRIX™ L FOUR SQ

L4.240LSQ 4 X 17W LED

TYPE:

PROJECT NAME:

L4.240LSQ

PLH240

MODEL #

FINISH

LED COLOUR

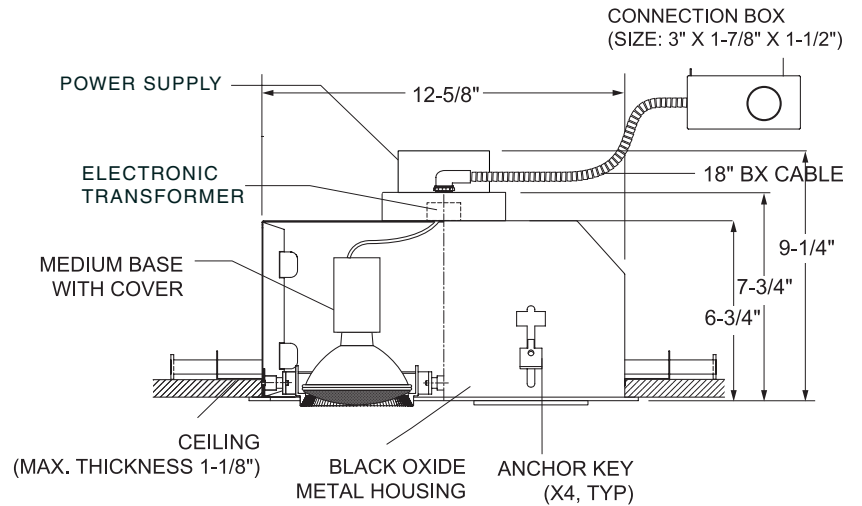
OPTIC

HOUSING

VOLTAGE

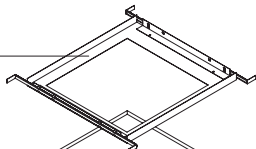


## SELECTION VIEW

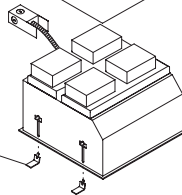


## CUT-OUT DIMENSIONS

PLASTER FRAME  
# PLH - 240  
DIM.: 17-1/8" X 15-1/2"  
W/ CUT-OUT SLOT  
DIM: 12-7/8" X 12-7/8"



CUT-OUT IN  
CEILING DIM.:  
12-7/8" X 12-7/8"

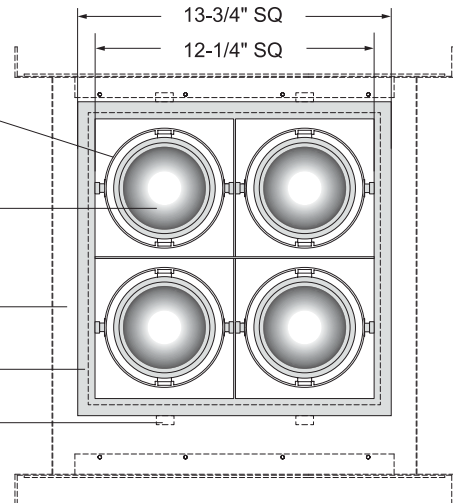


ANCHOR KEY  
(X4, TYP)

## BOTTOM VIEW

ADJUSTABLE  
DIE CAST ALUM.  
LAMP HOLDER  
W/ PAINTED FINISH  
7 X 2.5W (X4, TYP)  
(SEE LED COLOR AND  
OPTIC OPTIONS)

PLASTER FRAME  
METAL FRAME  
W/ PAINTED FINISH  
ANCHOR KEY  
(X4, TYP)



## METAL FINISH

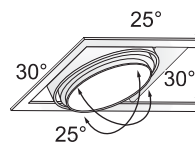
01. WHITE  02. BLACK  10. GREY

LED COLOUR  00 - 17W LED COOL WHITE 4300K  
 01 - 17W LED WARM WHITE 2700K

OPTIC  10° - SPOT  25° - FLOOD

VOLTAGE  120V  220V

## TILT ANGLE



SPECIFICATION SHEET

LEDOLOGY®

A Luminart® BRAND

WWW.LUMINARTLIGHTING.COM