

MATRIX™ S ONE LED

L4.110L 12W LED

TYPE:

PROJECT NAME:

L4.110L

PLH110

MODEL #

FINISH

LED COLOUR

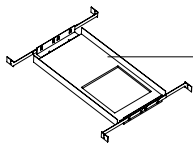
OPTIC

HOUSING

VOLTAGE



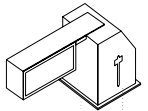
CUT-OUT DIMENSIONS



PLASTER FRAME
DIM.: 12-11/16" X 8-5/8"
W/ CUT-OUT SLOT
DIM.: 4 5/8" X 4-5/8"

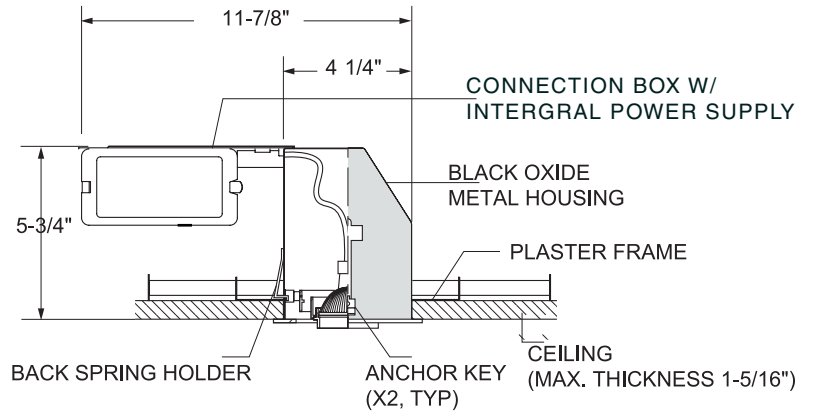


CUT-OUT IN CEILING
DIM.: 4-1/2" X 4-1/2"

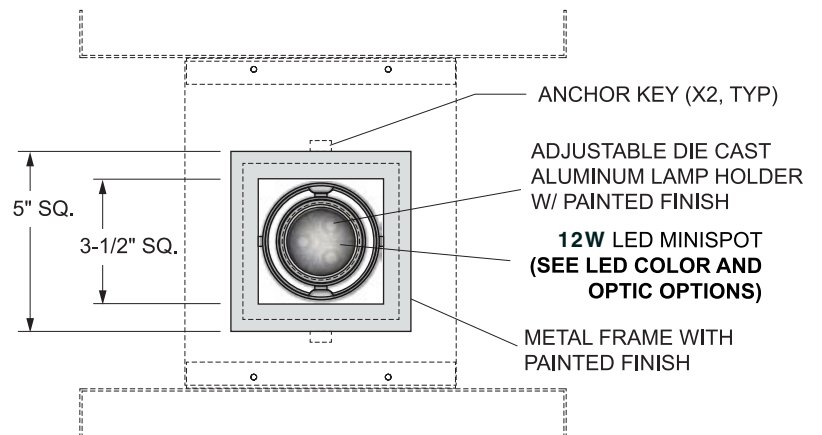


ANCHOR KEY
(X2, TYP.)

SECTION VIEW



BOTTOM VIEW



ACCESSORIES



L4.050 - FROSTED GLASS



L4.658 - COLORED GLASS
05 - RED
06 - YELLOW
09 - SKY BLUE



L4.675 - LOUVRE



L4.111 - VISOR



L4.113 - ANTIGLARE

OPTIC

10° - SPOT

25° - FLOOD

LED COLOUR

00 - 12W LEDCOOL WHITE 4300K

01 - 12W LED WARM WHITE 2700K

METAL FINISH

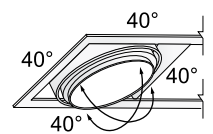
01. WHITE

02. BLACK

10. GREY



TILT ANGLE



VOLTAGE

120V

220V

SPECIFICATION SHEET

LEDOLOGY®

A **Luminart** BRAND

WWW.LUMINARTLIGHTING.COM

MATRIX™ L ONE

L4.210L 17W LED

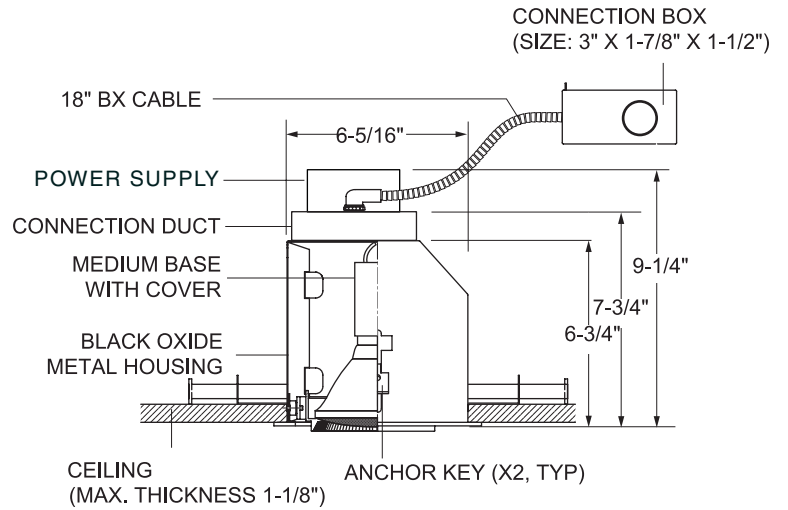
TYPE:

PROJECT NAME:

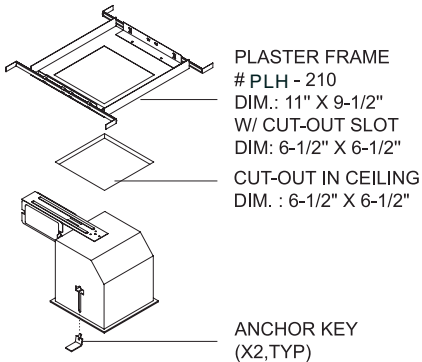
L4.210L	-	-	-	-	PLH210	-	
MODEL #	FINISH	LED COLOUR	OPTIC	HOUSING	VOLTAGE		



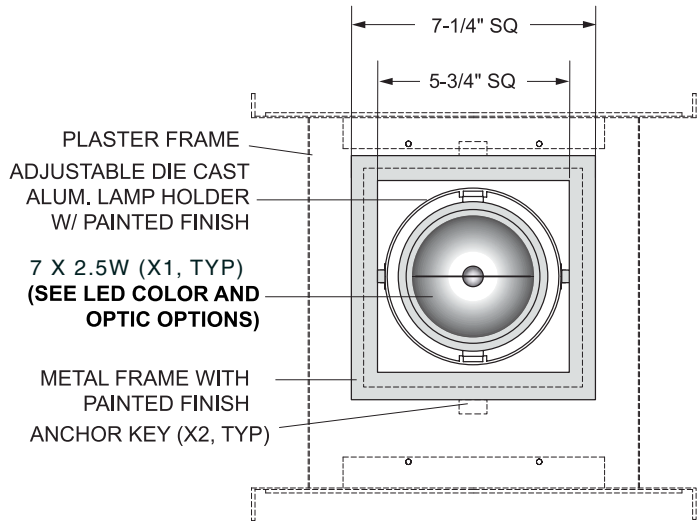
SELECTION VIEW



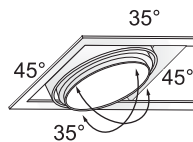
CUT-OUT DIMENSIONS



BOTTOM VIEW



TILT ANGLE



SPECIFICATION SHEET

METAL FINISH

01. WHITE 02. BLACK 10. GREY

LED COLOUR

00 - 17W LED COOL WHITE 4300K
 01 - 17W LED WARM WHITE 2700K

OPTIC

10° - SPOT 25° - FLOOD

VOLTAGE

120V 220V

LEDOLOGY®

A **Luminart** BRAND

WWW.LUMINARTLIGHTING.COM