

BUTTERFLY™

WALL MOUNT

TYPE:

PROJECT NAME:

Finish

Body finish:



White



Lead grey



Matte gold

Diffuser material:



Wool

Metal structure with
acoustic comfort
fabric diffuser

Bi-color version on
demand

IP20



SPECIFICATION SHEET



Wool



Cod. 650
Sand



Cod. 651
Orange



Cod. 652
Green



Cod. 653
Mustard yellow



Cod. 654
Purple



Cod. 655
Avio blue



Cod. 656
Dark grey

LEDOLOGY®

A **Luminart** BRAND

WWW.LEDOLOGY.COM

BUTTERFLY™

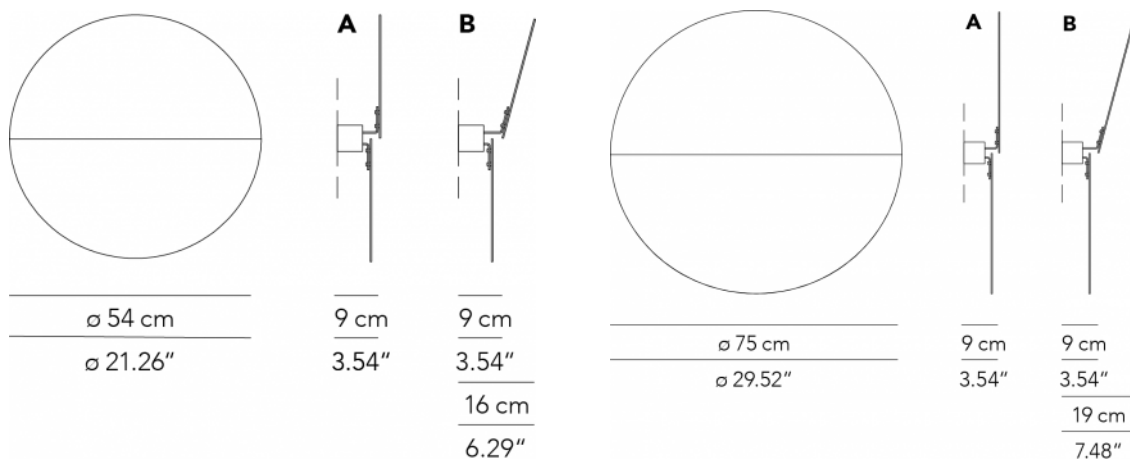
WALL MOUNT

TYPE:

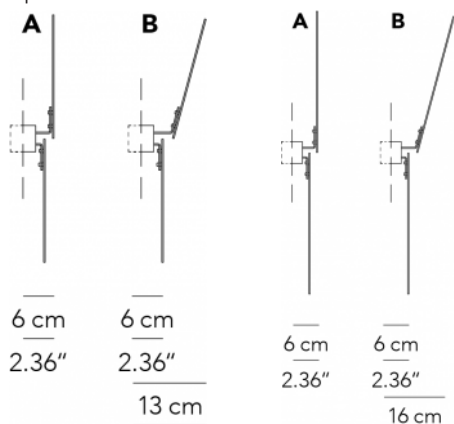
PROJECT NAME:

Butterfly - ø 54	ø 54 x 7 cm 8 Kg	lamp type 1 led module 19.8W luminous efficacy 3420 Lm light colour 3000 K dimmable cri >80	L82BUTEAP054G01
Butterfly - ø 75	ø 75 x 7 cm 10 Kg	lamp type 1 led module 29.8W luminous efficacy 5132 Lm light colour 3000 K dimmable cri >80	L82BUTEAP075G01

Standard installation mounted on wall



Optional installation recessed into wall



ORDERING INFO

Model (Order Code)

Body Finish
See page 1

Diffuser Finish
See page 1

LED

Remote Driver Options

- | | |
|-----------------------------|--|
| <input type="radio"/> 2700K | <input type="radio"/> 120V Phase Dimming |
| <input type="radio"/> 3000K | <input type="radio"/> 120V 0-10V Dimming |
| <input type="radio"/> 4000K | <input type="radio"/> 277V 0-10V Dimming |



SPECIFICATION SHEET

LEDOLOGY®

A **Luminart** BRAND

WWW.LEDOLOGY.COM