

CIRCUS™

ACOUSTIC SUSPENSION

TYPE:

PROJECT NAME:



Diffused light suspension fixture. Curved aluminum structure in matte black, white or painted gold. Built-in flexible LED strip and opal PMMA diffuser. Metal ceiling canopy in matte white, black or painted gold.

SPECIFICATION SHEET

ORDERING INFO

Model (Order Code)	Structure Finish	Acoustic Fabric	LED	Remote Driver Options
	<input type="radio"/> Matte Black	<i>See page 4</i>	<input type="radio"/> 2700K	<input type="radio"/> 120V 0-10V Dimming
	<input type="radio"/> Matte White		<input type="radio"/> 3000K	<input type="radio"/> 277V 0-10V Dimming
	<input type="radio"/> Painted Gold		<input type="radio"/> 3500K	
			<input type="radio"/> 4000K	



LEDOLOGY®

A **Luminart** BRAND

WWW.LEDOLOGY.COM

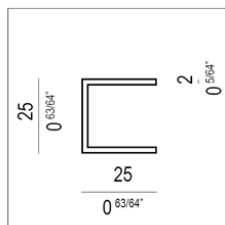
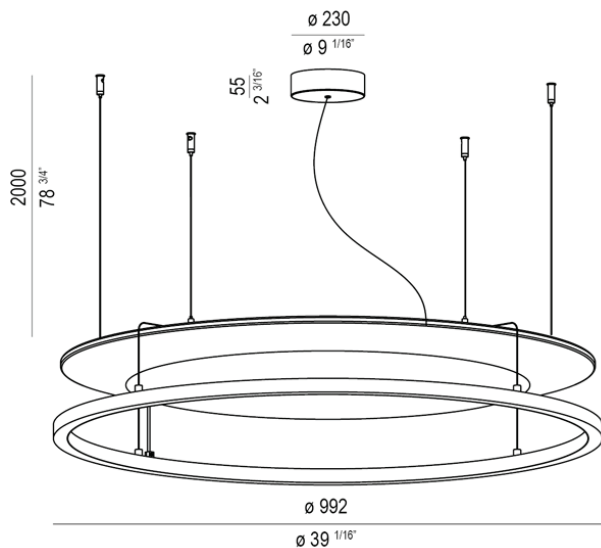
CIRCUS™

ACOUSTIC SUSPENSION

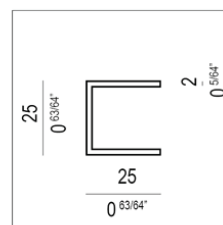
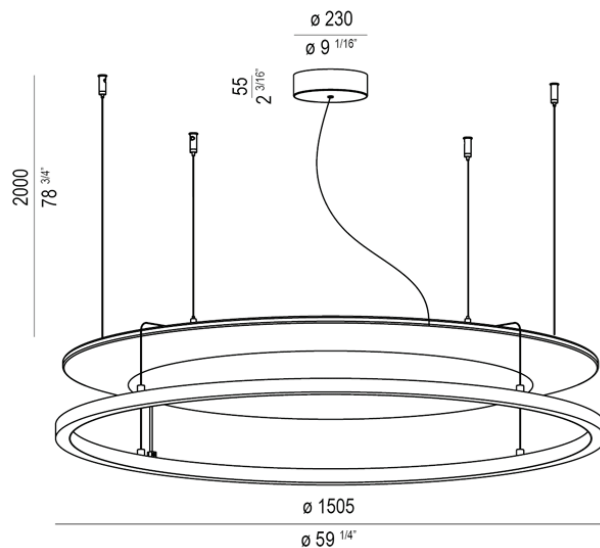
TYPE:

PROJECT NAME:

Circus Ø100 Downlight



Circus Ø150 Downlight



Model: L03S100DI

Description: Diffused light hanging luminaire for architectural lighting and acoustic control.

Application: Architectural indoor lighting

Materials: Aluminum structure, Opal PMMA diffuser

Structure Finishes: Matte black, matte white, painted gold

Acoustic Panel: Honeycomb polycarbonate acoustic panel with a removable cover in 100% polyester

Acoustic Fabric: See page 4

Light source: LED 74W, 24V, 10360 Lm. Downward emission. 80CRI. IP20.

Light control: Dimmable with 0-10V or TRIAC dimming

Model: L03S150DI

Description: Diffused light hanging luminaire for architectural lighting and acoustic control.

Application: Architectural indoor lighting

Materials: Aluminum structure, Opal PMMA diffuser

Structure Finishes: Matte black, matte white, painted gold

Acoustic Panel: Honeycomb polycarbonate acoustic panel with a removable cover in 100% polyester

Acoustic Fabric: See page 4

Light source: LED 108W, 24V, 15120 Lm. Downward emission. 80 CRI. IP20.

Light control: Dimmable with 0-10V or TRIAC dimming

SPECIFICATION SHEET

ORDERING INFO

Model (Order Code)	Structure Finish	Acoustic Fabric	LED	Remote Driver Options
	<input type="radio"/> Matte Black <input type="radio"/> Matte White <input type="radio"/> Painted Gold	See page 4	<input type="radio"/> 2700K <input type="radio"/> 3000K <input type="radio"/> 3500K <input type="radio"/> 4000K	<input type="radio"/> 120V 0-10V Dimming <input type="radio"/> 277V 0-10V Dimming



LEDOLOGY®

A **Luminart** BRAND

WWW.LEDOLOGY.COM

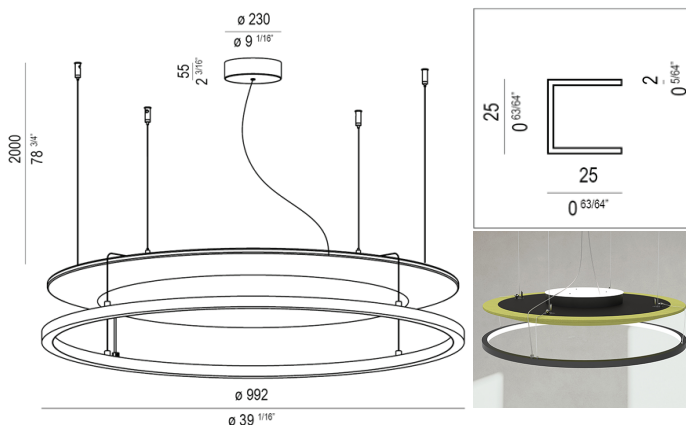
CIRCUS™

ACOUSTIC SUSPENSION

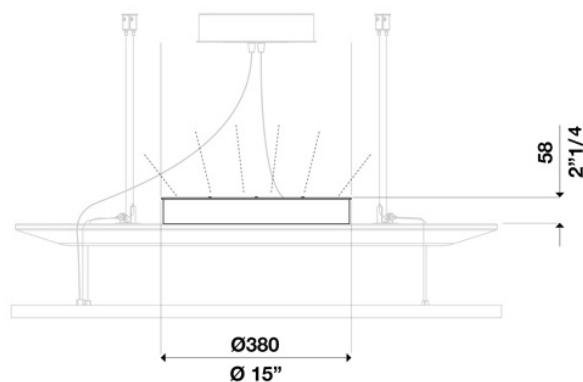
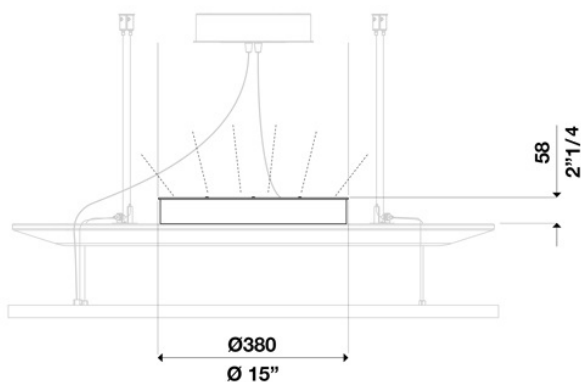
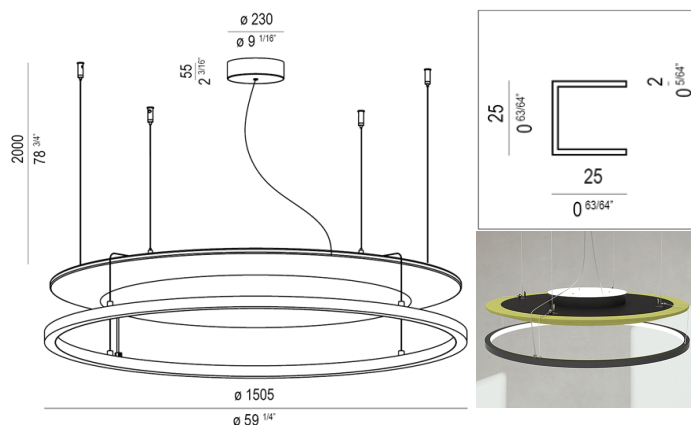
TYPE:

PROJECT NAME:

Circus Ø100 Uplight+Downlight



Circus Ø150 Uplight+Downlight



Model: L03S100INDI

Description: Diffused light hanging luminaire for architectural lighting and acoustic control.

Application: Architectural indoor lighting

Materials: Aluminum structure, Opal PMMA diffuser

Structure Finishes: Matte black, matte white, painted gold

Acoustic Panel: Honeycomb polycarbonate acoustic panel with a removable cover in 100% polyester

Acoustic Fabric: See page 4

Light source: LED (74W down, 17W up), 24V, (10360 Lm down, 2240 Lm up). Downward+Upward emission. (80CRI down, 90CRI up). IP20.

Light control: Dimmable with 0-10V or TRIAC dimming

Model: L03S150INDI

Description: Diffused light hanging luminaire for architectural lighting and acoustic control.

Application: Architectural indoor lighting

Materials: Aluminum structure, Opal PMMA diffuser

Structure Finishes: Matte black, matte white, painted gold

Acoustic Panel: Honeycomb polycarbonate acoustic panel with a removable cover in 100% polyester

Acoustic Fabric: See page 4

Light source: LED (108W down, 17W up), 24V, (15120 Lm down, 2240 Lm up). Downward+Upward emission. (80CRI down, 90CRI up). IP20.

Light control: Dimmable with 0-10V or TRIAC dimming

SPECIFICATION SHEET

ORDERING INFO

Model (Order Code)	Structure Finish	Acoustic Fabric	LED	Remote Driver Options
	<input type="radio"/> Matte Black <input type="radio"/> Matte White <input type="radio"/> Painted Gold	See page 4	<input type="radio"/> 2700K <input type="radio"/> 3000K <input type="radio"/> 3500K <input type="radio"/> 4000K	<input type="radio"/> 120V 0-10V Dimming <input type="radio"/> 277V 0-10V Dimming



LEDOLOGY®

A Luminart BRAND

WWW.LEDOLOGY.COM

CIRCUS™

ACOUSTIC SUSPENSION

TYPE:

PROJECT NAME:

Acoustic Panel Fabric Color Options

black
60999



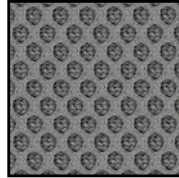
white
60061



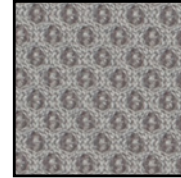
beige
61128



cool gray
60011



warm gray
60165



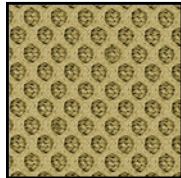
anthracite
60025



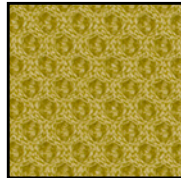
mole
61110



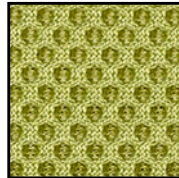
licorice
62064



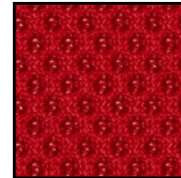
olive
68108



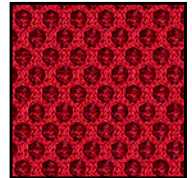
lime
61110



red
64119



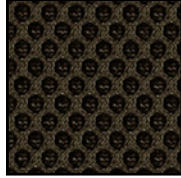
berry
64089



merlot
61130



tobacco
61129



midnight
66064



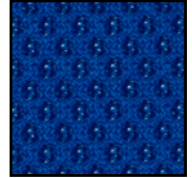
navy
66123



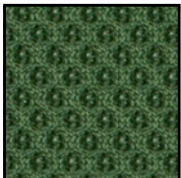
denim
66140



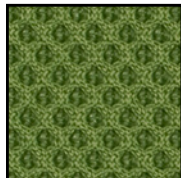
klein
66120



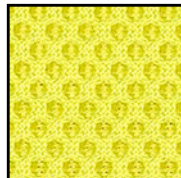
forest green
68110



green
68109



yellow
68137



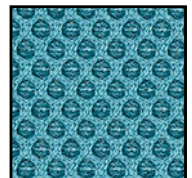
orange
64119



lilac
65078



sky
66063



ORDERING INFO

Model (Order Code)

Structure Finish

Fabric Finish

LED

Remote Driver Options

- Matte Black
- Matte White
- Painted Gold

- 2700K
- 3000K
- 3500K
- 4000K

- 120V 0-10V Dimming
- 277V 0-10V Dimming



SPECIFICATION SHEET

LEDOLOGY®

A **Luminart** BRAND

WWW.LEDOLOGY.COM