

EVER AND EVER™ V2

TYPE:

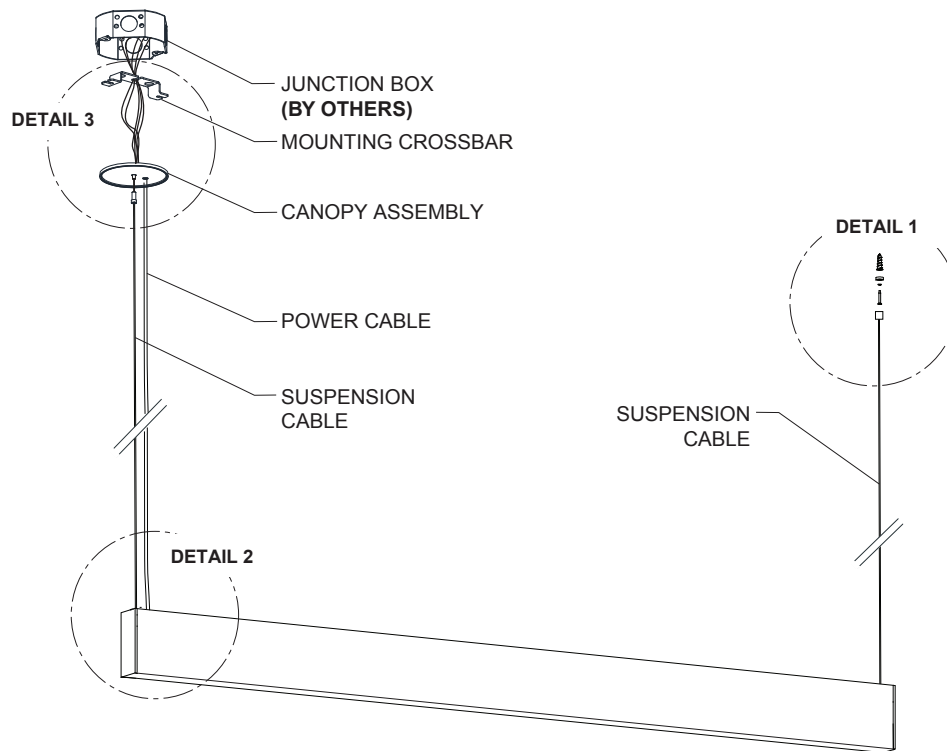
SUSPENSION INSTALLATION SHEET

PROJECT NAME:

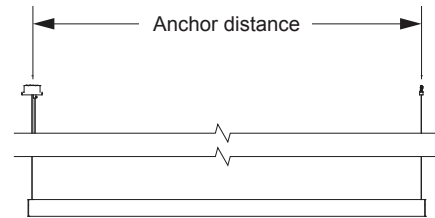
IMPORTANT - READ CAREFULLY BEFORE INSTALLING FIXTURE. RETAIN THESE INSTRUCTIONS FOR FUTURE REFERENCE.

THIS PRODUCT MUST BE INSTALLED IN ACCORDANCE WITH THE NATIONAL ELECTRICAL CODE AND ALL APPLICABLE LOCAL CODES, BY A PERSON FAMILIAR WITH THE CONSTRUCTION AND OPERATION OF THE PRODUCT, AND THE HAZARDS INVOLVED. PROPER GROUNDING IS REQUIRED FOR SAFETY.

SINGLE UNIT INSTALLATION (LENGTHS FROM 2' TO 8')



Nominal length	Actual length	Anchor points mounting distance (*)
02	2'-1 $\frac{1}{8}$ "	24"
03	3'-1 $\frac{1}{8}$ "	36"
04	4'-1 $\frac{1}{8}$ "	48"
06	6'-1 $\frac{1}{8}$ "	72"
08	8'-1 $\frac{1}{8}$ "	96"
12	12'-1 $\frac{1}{8}$ "	96"+48"
16	16'-1 $\frac{1}{8}$ "	96"+96"
24	24'-1 $\frac{1}{8}$ "	96"+96"+96"



The luminaires runs can be manufactured in most lengths with 12" increments. Contact the factory for precise lengths and anchoring point details.

SPECIFICATION SHEET

LEDOLOGY®

WWW.LEDOLOGY.COM

A **Luminart** BRAND

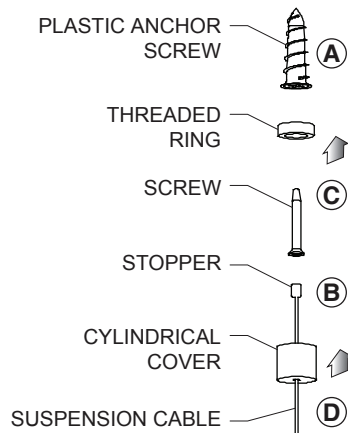
EVER AND EVER™ V2

SUSPENSION INSTALLATION SHEET

TYPE:

PROJECT NAME:

DETAIL 1 - ANCHOR INSTALLATION



- A** - PLACE PLASTIC ANCHOR SCREWS IN CEILING AT THE REQUIRED DISTANCE AS SHOWN.
- B** - PASS SUSPENSION CABLE THROUGH CYLINDRICAL COVER.
- C** - PASS SCREW THROUGH THREADED RING AND SECURE SCREW INTO PLASTIC ANCHOR SCREW.
- D** - FASTEN CYLINDRICAL COVER TO THREADED RING.

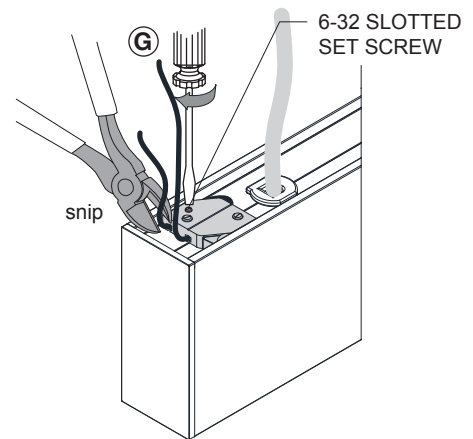
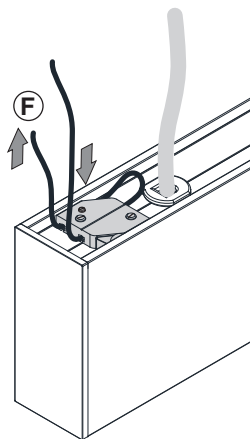
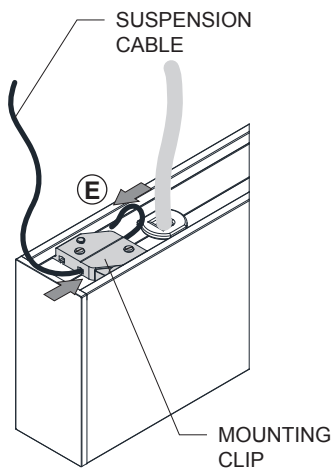
DETAIL 2 - SUSPENSION CABLE

NOTICE: IDENTIFY UNITS HAVING 2 MOUNTING CLIPS. THESE SUSPENDED UNITS SHALL BE THE FIRST TO BE INSTALLED .

E - PASS CABLE THROUGH THE MOUNTING CLIP AS SHOWN.

F - ADJUST THE FIXTURE HEIGHT SLIDING SUSPENSION CABLE THROUGH THE MOUNTING CLIP FOLLOWING ARROWS DIRECTIONS.

G - TIGHTEN DOWN THE PRE-INSTALLED 6-32 SLOTTED SET SCREW TO LOCK THE SUSPENSION CABLE TO THE APPROPRIATE HEIGHT. CUT EXCESS CABLE.



SPECIFICATION SHEET

LEDOLOGY®

WWW.LEDOLOGY.COM

A **Luminart** BRAND

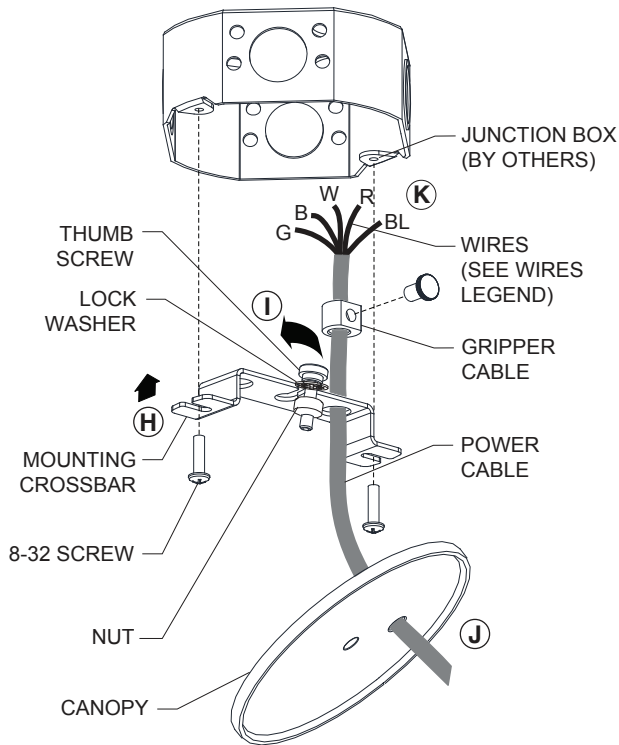
EVER AND EVER™ V2

SUSPENSION INSTALLATION SHEET

CANOPY INSTALLATION AND ELECTRICAL

TYPE:

PROJECT NAME:



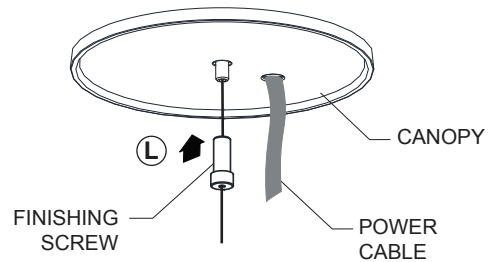
H - INSTALL MOUNTING CROSSBAR USING 8-32 SCREWS.

I - PASS THUMB SCREW INTO THE MOUNTING CROSSBAR KEY HOLE W/LOCK WASHER ON TOP. HOLD SUSPENSION CABLE DOWN IN POSITION AND SECURE WITH THE PROVIDED NUT.

J - INTRODUCE POWER CABLE THROUGH CANOPY, PASS IT THROUGH MOUNTING CROSSBAR HOLE, ADJUST LENGTH AND TIGHTEN IT USING CABLE GRIPPER TO LOCK POSITION.

K - MAKE NECESSARY ELECTRICAL CONNECTIONS. (REFER TO WIRES LEGEND). FOR DIMMING 0-10V AND BUS SUPPLY: WIRES MUST BE RUN THROUGH A SEPARATE KNOCKOUT HOLE WHEN CONNECTING DIMMING CONTROLLER. (REFER TO WIRING DIAGRAM).

L - SECURE CANOPY USING FINISHING SCREW.



WIRES LEGEND		
SYMBOL	COLOR	DESTINATION
G	Green	Ground
W	White	Neutral
B	Black	Live 1
R	Red	DIM+
BL	Blue	DIM-

Use for Dimming

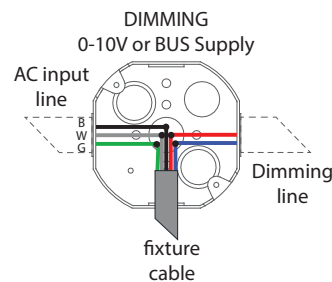
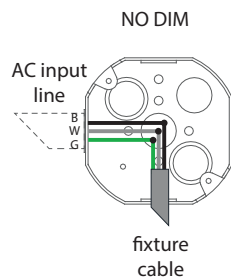
FEED INFORMATION

Maximum fixture length per single feed (nominal length) :

	LENGTH
NO DIM.	40'
0-10V	32'
BUS	44'

Main feed is located at the beginning of the first section. For longer fixtures subsequent feeds are needed. The feeds are located at the beginning of the next following section, except for the last feed which is located at the end of the last section of the fixture.

WIRING DIAGRAM



SPECIFICATION SHEET

LEDOLOGY®

WWW.LEDOLOGY.COM

A Luminart BRAND

EVER AND EVER™ V2

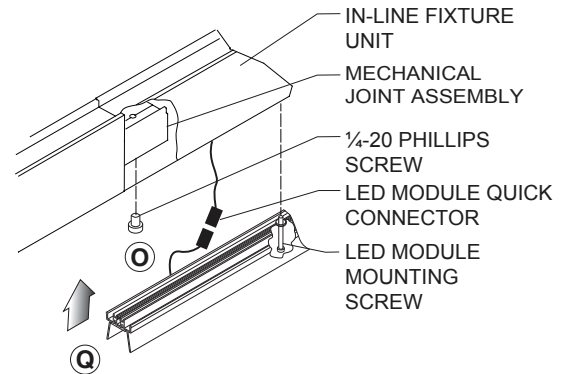
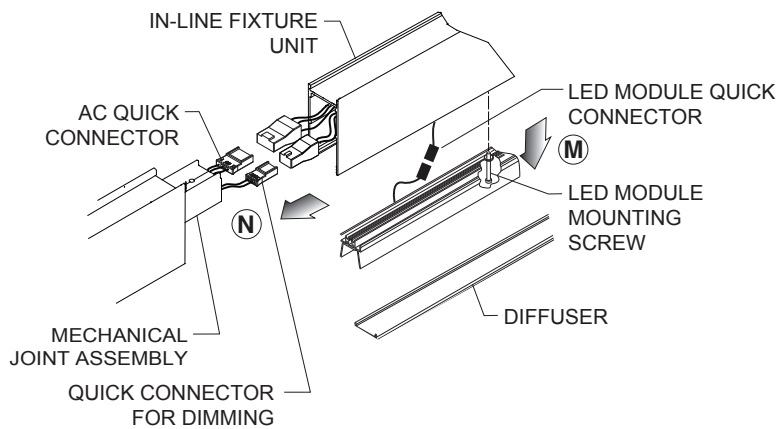
TYPE:

SUSPENSION INSTALLATION SHEET

PROJECT NAME:

IN-LINE UNITS INSTALLATION (LENGTHS FROM 9' AND MORE)

- M-** REMOVE DIFFUSER AND UNSCREW LED MODULE MOUNTING SCREWS. DISCONNECT AND REMOVE THE LED MODULE.
- N-** SLIDE IN-LINE UNIT ONTO STRAIGHT JOINT ASSEMBLY IN ORDER TO CONNECT BOTH UNITS. MAKE SURE TO NOT SQUEEZE ANY CABLES.
- O-** FASTEN IN-LINE UNIT TO STRAIGHT JOINT ASSEMBLY USING PHILLIPS 1/4-20 SCREW. DO NOT OVERTIGHTEN THE SCREWS, OTHERWISE IT WILL CAUSE A SEPARATION BETWEEN THE JOINED EXTRUSIONS.
- P-** CONNECT AND INSTALL LED MODULE INTO POSITION. FASTEN LED MODULE SCREWS AND REINSTALL DIFFUSER.



SPECIFICATION SHEET

LEDOLOGY®

WWW.LEDOLOGY.COM

A **Luminart** BRAND