

VISION™ 1

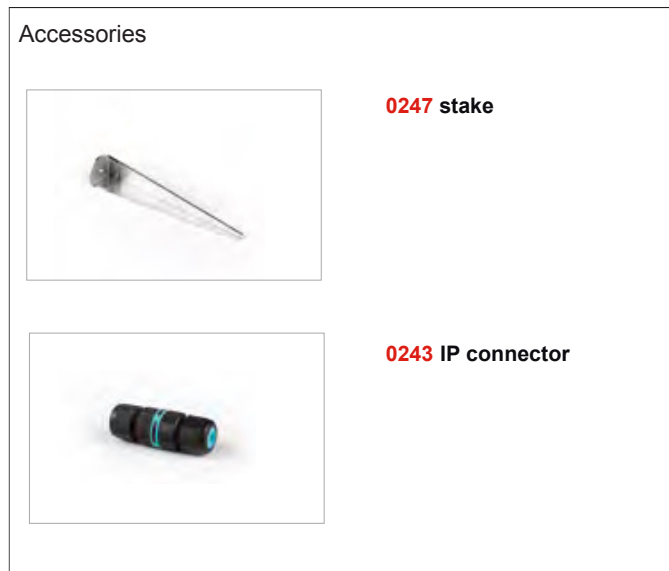
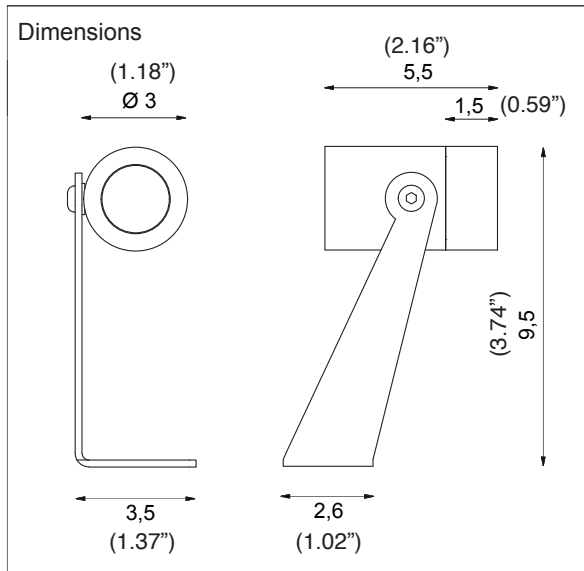
SPOTLIGHT

TYPE:

PROJECT NAME:



materials:	anodized aluminum frame, AISI 316L stainless steel stake				
light:	direct				
light sources:					
<i>Color temperature</i>	<i>Optics</i>	<i>LED light source</i>			<i>lm source</i>
<i>/W</i>	<i>/11 /25 /45</i>	1,5W	2,9V	500mA	180lm 4000K
<i>/WW</i>	<i>/11 /25 /45</i>	1,5W	2,9V	500mA	162lm 3000K
<i>/XW</i>	<i>/11 /25 /45</i>	1,5W	2,9V	500mA	153lm 2700K
IP grade:	IP66				
net weight:	0,50 Kg				
finishes:	.34 corten painted .39 anthracite painted .45 anodized aluminum				
symbols:					



SPECIFICATION SHEET

ORDERING INFO

L674529

Model (Order Code)	Structure Finishes	Optic	LED	Accessories	Remote Driver Options (500mA)
<input type="radio"/> L674529 1.5W	<input type="radio"/> 34: Corten Painted <input type="radio"/> 39: Anthracite Painted <input type="radio"/> 45: Anodized Aluminum	<input type="radio"/> 11: 11° <input type="radio"/> 25: 25° <input type="radio"/> 45: 45°	<input type="radio"/> XW: 2700K <input type="radio"/> WW: 3000K <input type="radio"/> W: 4000K	<input type="radio"/> 0247: Stake <input type="radio"/> 0243: IP Connector	<input type="radio"/> 120V On/Off (Min 1 Max 6 Fixtures) <input type="radio"/> 120V Phase Dimming (Min 3 Max 5) <input type="radio"/> 120V 0-10V Dimming (Min 3 Max 5) <input type="radio"/> 277V 0-10V Dimming (Min 3 Max 5)



LEDOLOGY®

A **Luminart** BRAND

WWW.LEDOLOGY.COM
Last updated: 02/20/25